

## LED connectors

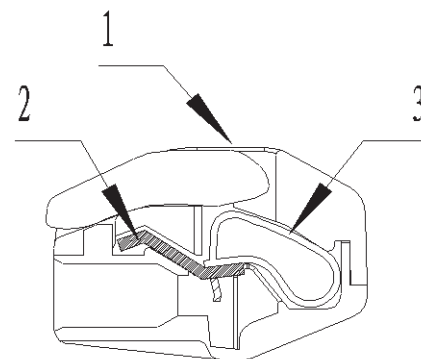
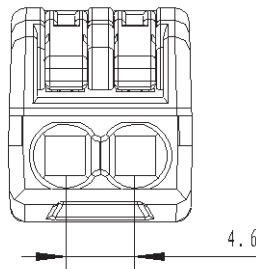
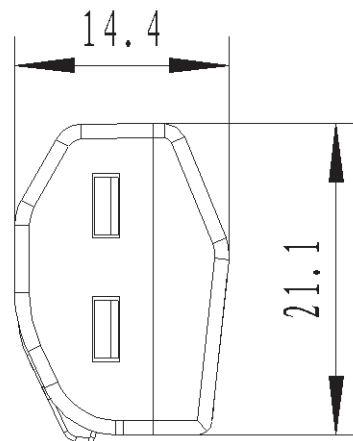
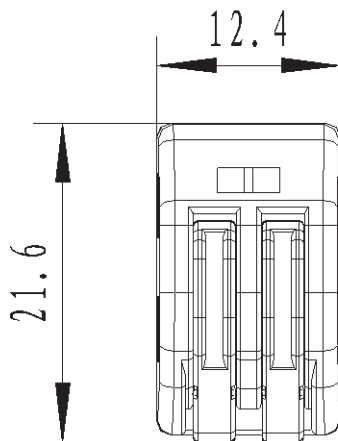
KLS2-CT258 Spring Terminal

### Material:

- 1, the plastic parts: PA66
- 2, the thickness of tin phosphor bronze: 0.8
- 3, spring: imported 301,0.4 thick

### Characteristics:

Rated voltage:600 V  
Rated current:24 A  
Operating temperature:  $-40 \pm 105$  °C  
High voltage: AC2000V/DC500V  
Insulation impedance: 500 ohm /DC500V  
The maximum tensile force: 8KG-10KG  
Wire cross-section:0.08 - 4 mm<sup>2</sup> 28 - 12 AWG



## ORDER INFORMATION

Product NO.: KLS2-CT258-02P-1

Pos. NO.

LED connectors

Color:1-Gray

Connector 2Pin

## LED connectors

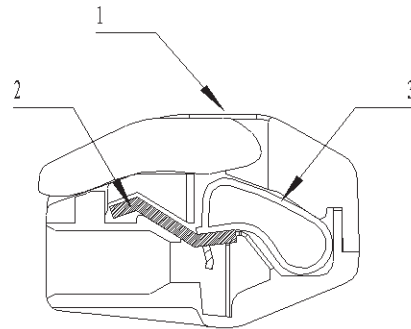
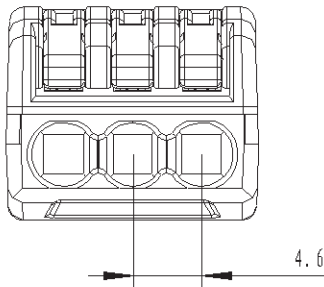
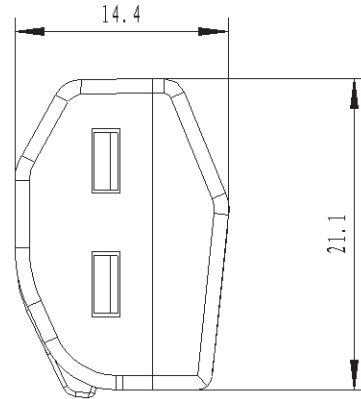
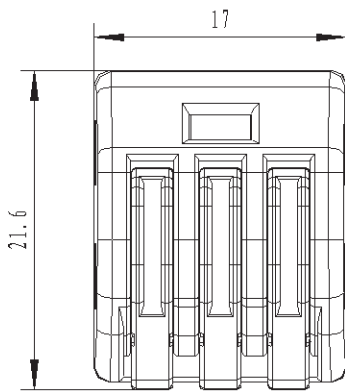
KLS2-CT258 Spring Terminal

### Material:

- 1, the plastic parts: PA66
- 2, the thickness of tin phosphor bronze: 0.8
- 3, spring: imported 301,0.4 thick

### Characteristics:

- Rated voltage:600 V
- Rated current:24 A
- Operating temperature:  $-40 \pm 105$  °C
- High voltage: AC2000V/DC500V
- Insulation impedance: 500 ohm /DC500V
- The maximum tensile force: 8KG-10KG
- Wire cross-section:0.08 - 4 mm<sup>2</sup> 28 - 12 AWG



## ORDER INFORMATION

Product NO.: KLS2-CT258-03P-1

Pos. NO.

LED connectors

Color:1-Gray

Connector 3Pin

## LED connectors

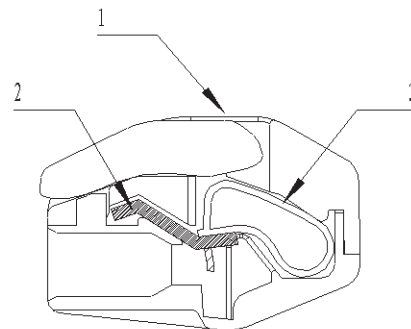
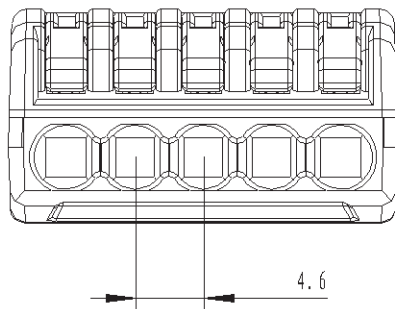
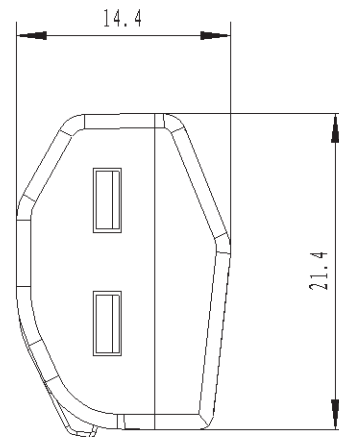
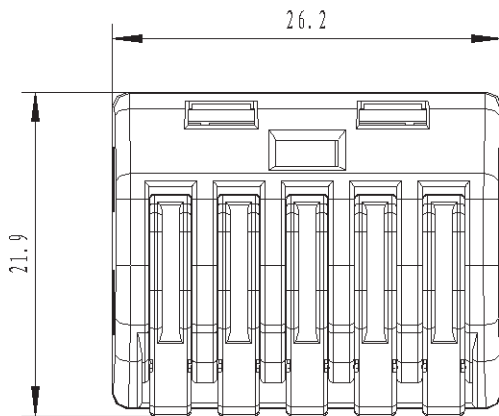
KLS2-CT258 Spring Terminal

### Material:

- 1, the plastic parts: PA66
- 2, the thickness of tin phosphor bronze: 0.8
- 3, spring: imported 301,0.4 thick

### Characteristics:

Rated voltage:600 V  
Rated current:24 A  
Operating temperature: -40 ± 105 °C  
High voltage: AC2000V/DC500V  
Insulation impedance: 500 ohm /DC500V  
The maximum tensile force: 8KG-10KG  
Wire cross-section:0.08 - 4 mm<sup>2</sup> 28 - 12 AWG



## ORDER INFORMATION

Product NO.: KLS2-CT258-05P-1

Pos. NO.

LED connectors

Color:1-Gray

Connector 5Pin