

REVISION RECORD			
REV/ECO	DESCRIPTION	DRFT	DATE
△	图面更新	CSX	07/18/08
△	增加U刻字	YeJ	11/06/08

NOTES:

1. Pitch: 7.62mm
2. Rated current: 15A
3. Rated voltage: 300V
4. Operation temperatures: -40° C ~ +105° C
5. Insulation Withstand Voltage: AC2000V/1Min
6. Insulation Resistance: 500MΩ /DC500V
7. Wire Range: 22~14AWG
8. Max. Torque: 5.10kgf. cm
9. Undimensioned Tolerances:

Pitch	over	over	over	over	over	over	over
in mm	in mm	in mm	in mm	in mm	in mm	in mm	in mm
6	10	10	10	10	10	10	10
8	10	10	10	10	10	10	10
10	10	10	10	10	10	10	10
15	10	10	10	10	10	10	10

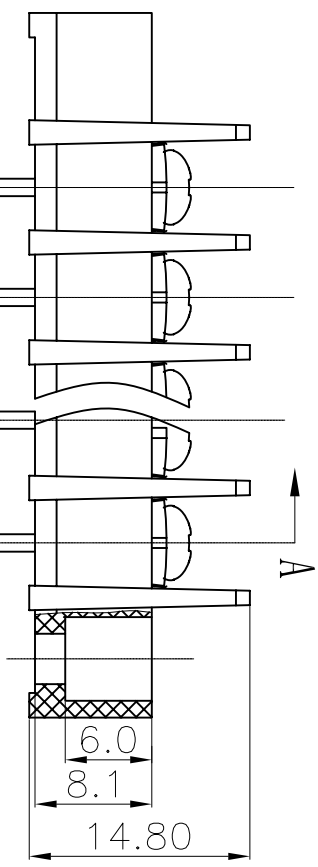
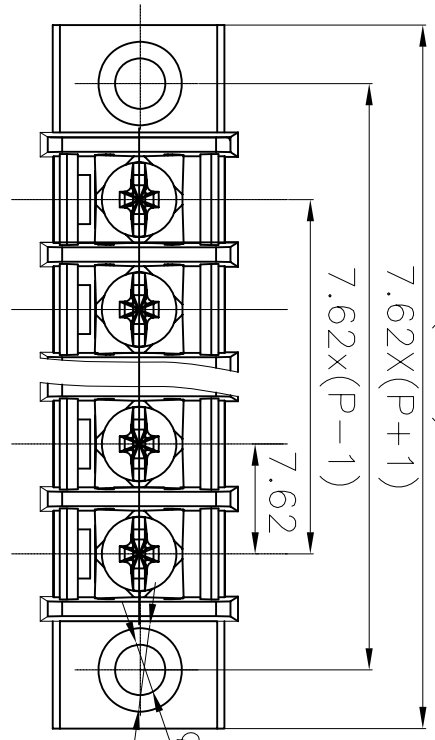
7.62X(P+1)+9.12

7.62X(P+1)

7.62x(P-1)

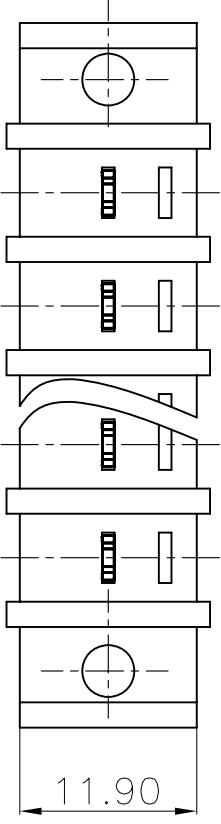
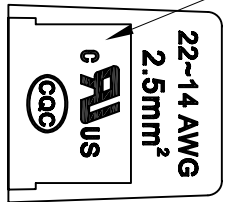
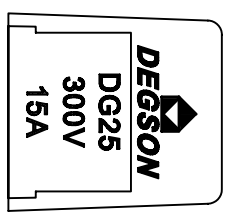
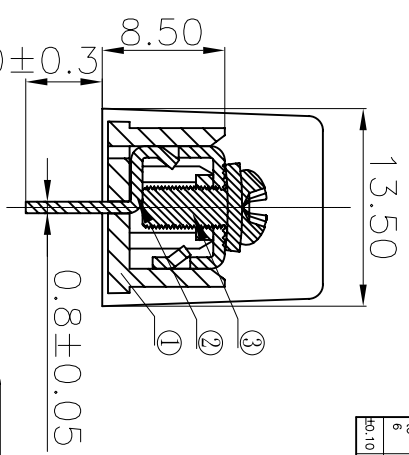
7.62

φ3.50
φ5.80



1.10±0.05

SECTION A-A



11.90

ITEM	DESCRIPTION	NO. OF PART	Q'TY	MATERIAL	NOTES
1	DG25C Housing	50011M0YXXA (H)	1	PA66	UL94V-0

DETACHED LISTS		TOLERANCES EXCEPT AS NOTED		MATERIAL	
UNIT	MIN	MAX	MIN	MAX	FINISH
MM	0 ±	±	±	±	±
MM	.00 ±	±	±	±	±
MM	.000 ±	±	±	±	±

ITEM	DESCRIPTION	NO. OF PART	Q'TY	MATERIAL	NOTES
3	3#6 bright-Screw	S000000450 (H)	XX	Steel	Ni Plated
2	DG25C-Pin Header	5001B00010 (H)	XX	Brass	Snlce