

Electro-optical Characteristics:

Absolute Maximum Ratings:

(Ta 25°)

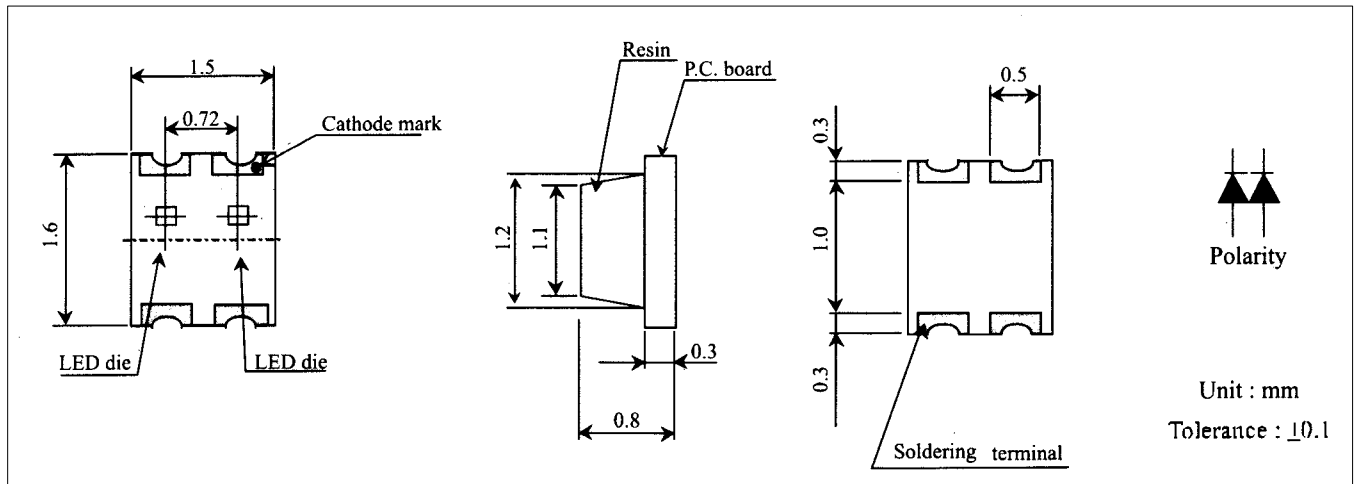
Code for parts	Lighting color	VF			λ_p	λ_T	IV	
		IF (mA)	typ (V)	max (V)	typ (nm)	typ (nm)	IF (mA)	typ (mcd)
SB-195 SD/YG	Super Bright Orange	20	2.1	2.6	630	40	20	10
	Yellow Green	20	2.2	2.6	570	24	20	9.5
SB-195 Y/YG	Yellow	20	2.1	2.6	589	40	20	6.5
	Yellow Green	20	2.2	2.6	570	24	20	9.5

(Ta 25°)

Series	KB-155
Pd (mW)	65
IF (mA)	25
IFP (mA)	100 * 1
VR (V)	5
Top (C)	-30 ~ +85
TST (C)	-40 ~ +85

* 1 Condition for IFP is pulse of 1/10 duty and 0.1 msec width

Package Outline Drawing:



Dimensions: 1.6 (L) x 1.5 (W) x 0.8 (H) mm

Recommended Soldering Pattern For Reflow Soldering:

Tape Specifications:

Loaded Quantity per Reel: 4000 pcs/ reel

