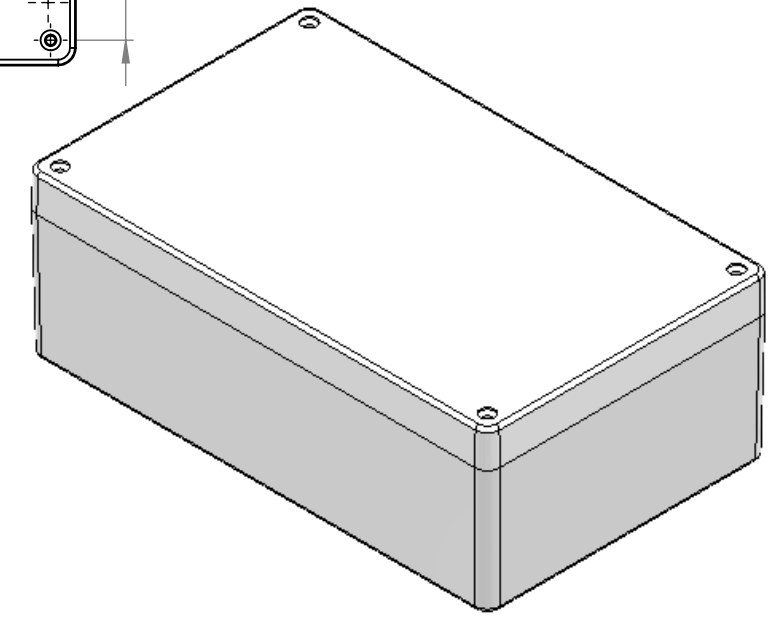
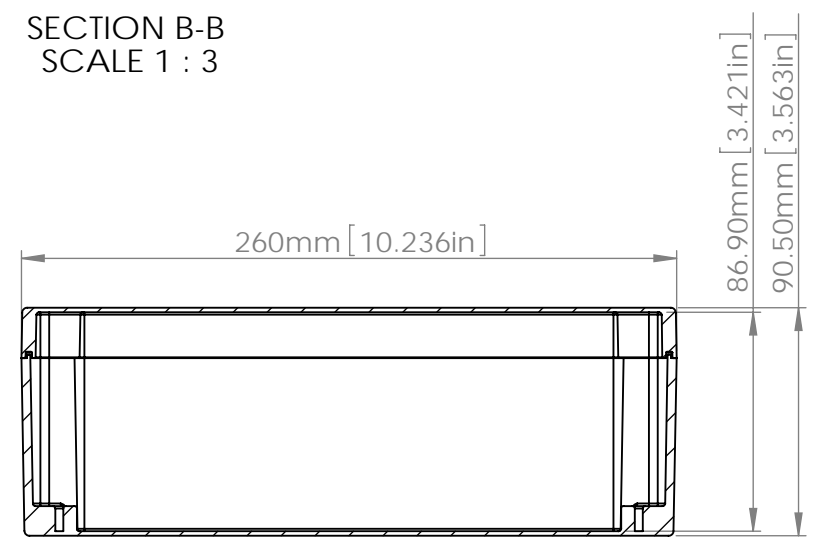
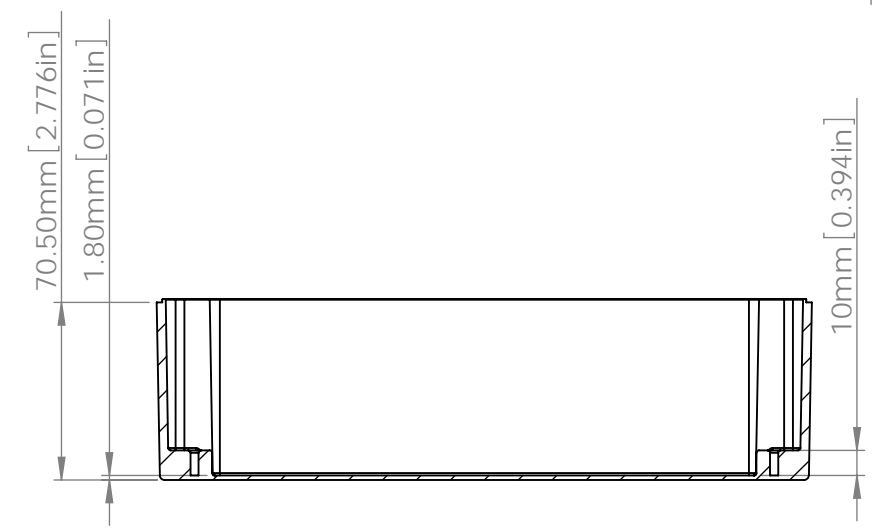
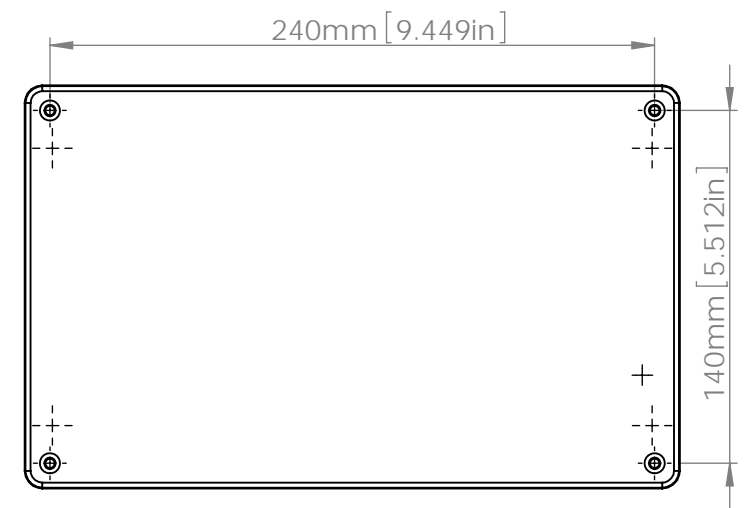
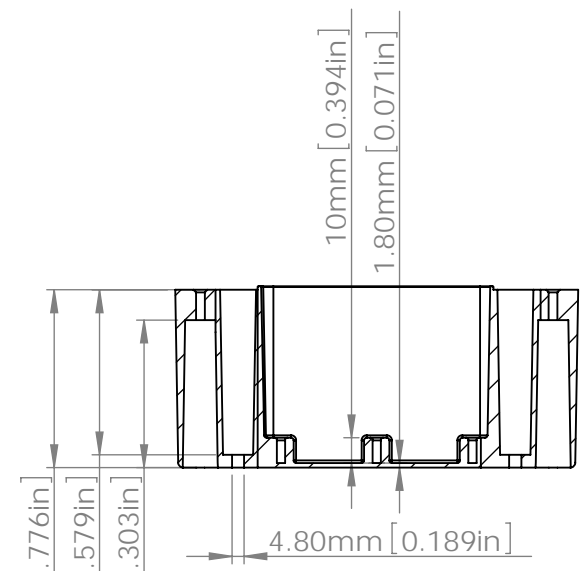
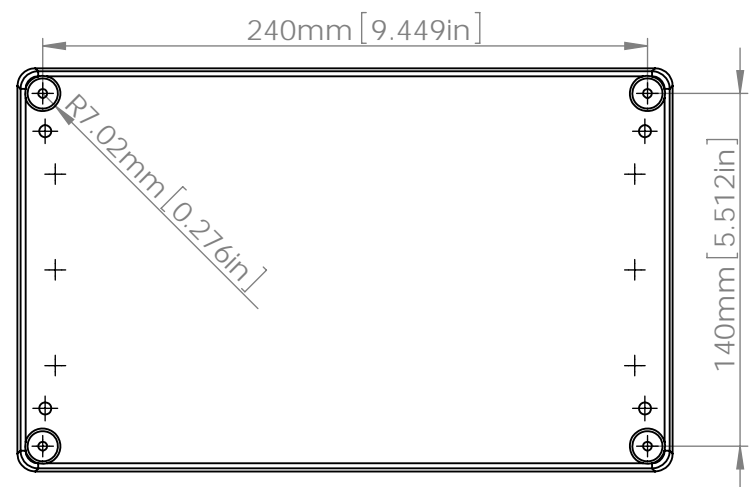


SECTION C-C  
 SCALE 1 : 3



TOLERANCES: +/- 0.30 mm (+/- 0.012in)