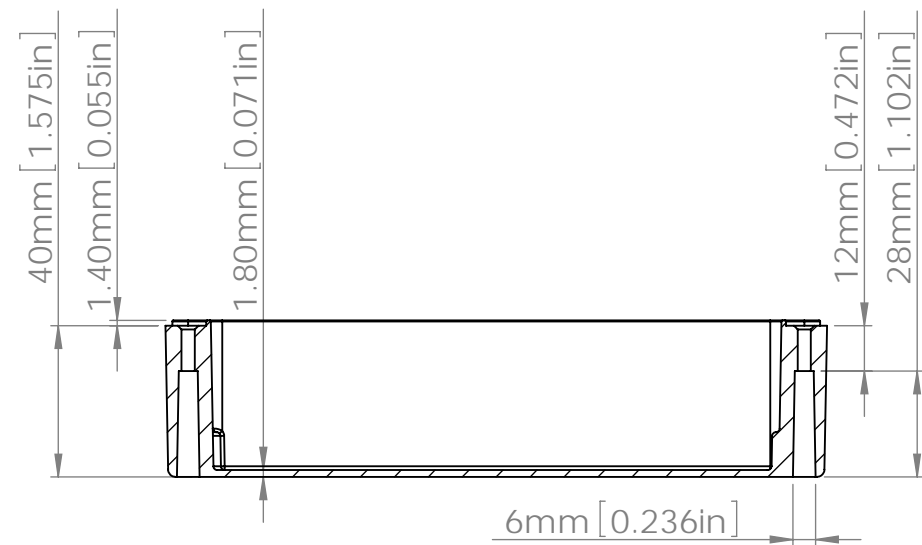
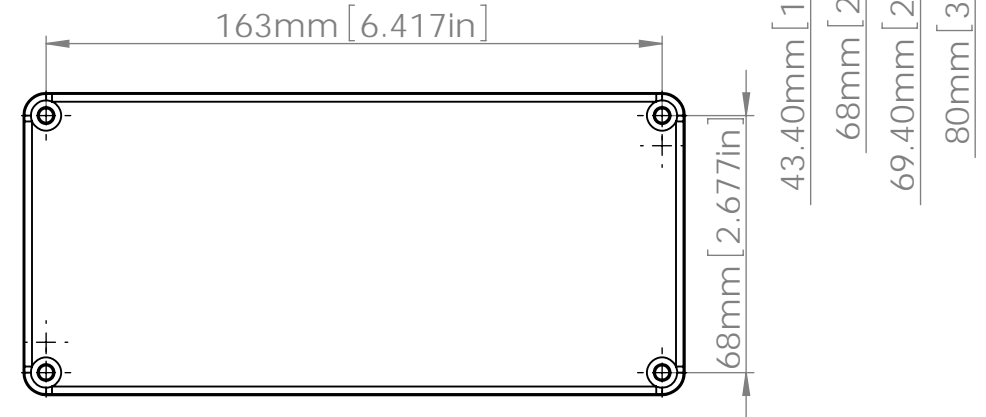
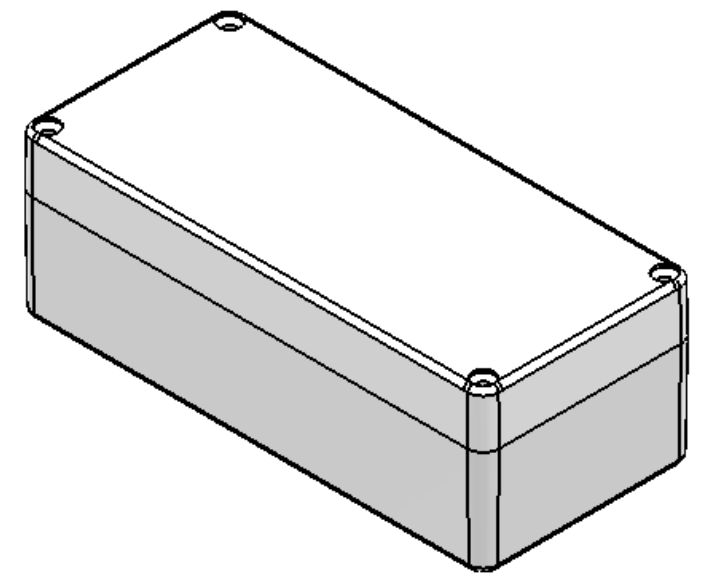
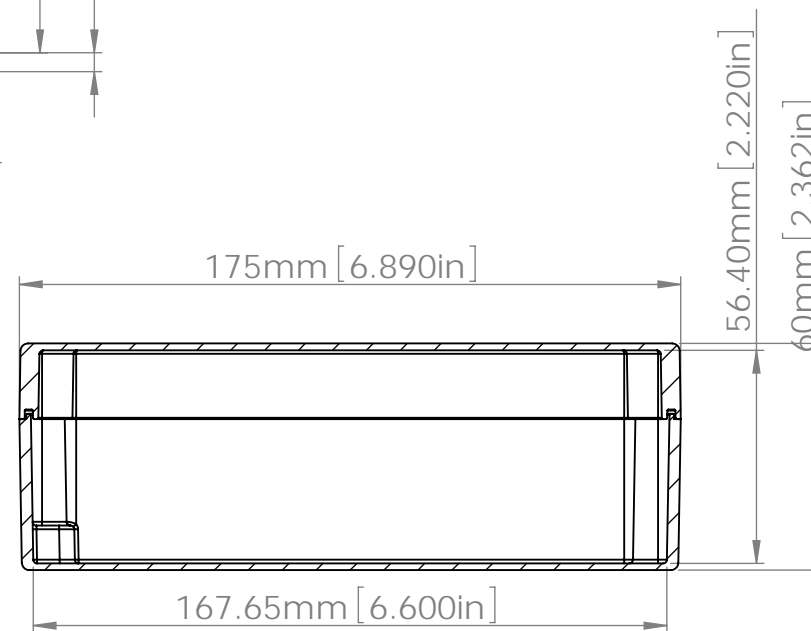


SECTION B-B



SECTION A-A



TOLERANCES: +/- 0.30 mm (+/- 0.012in)