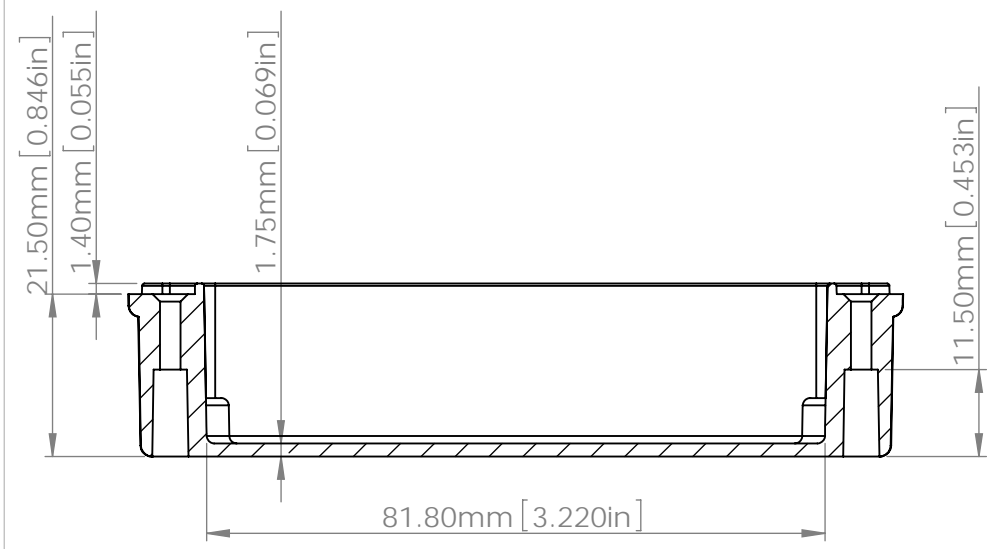
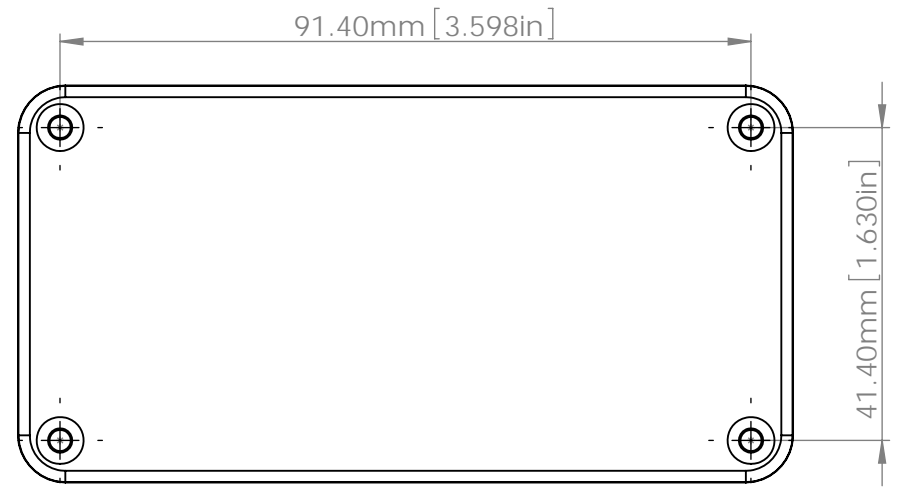
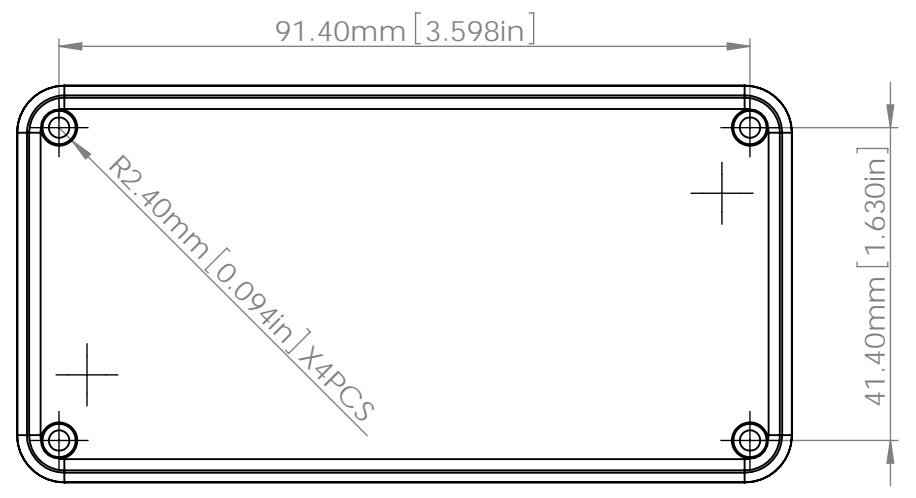
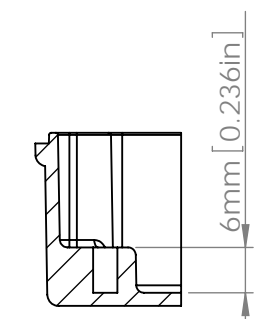


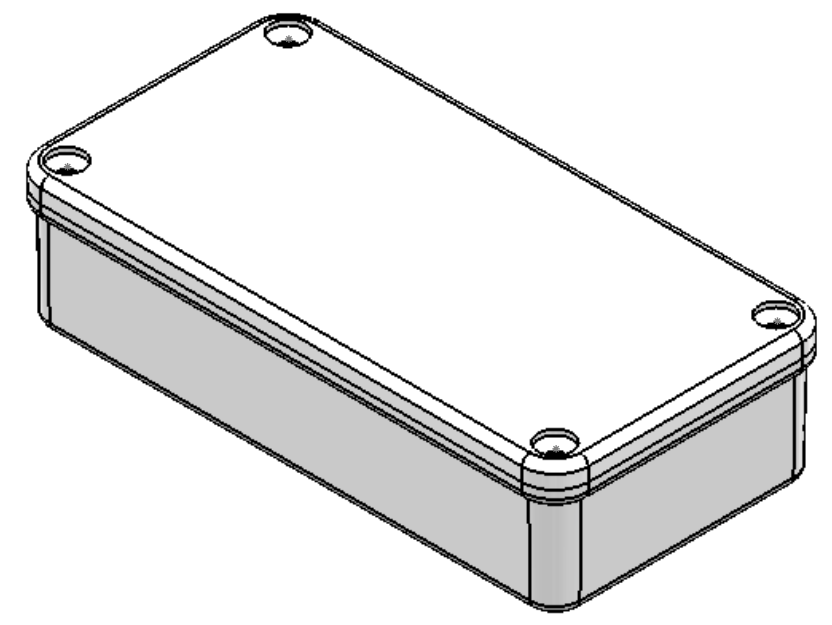
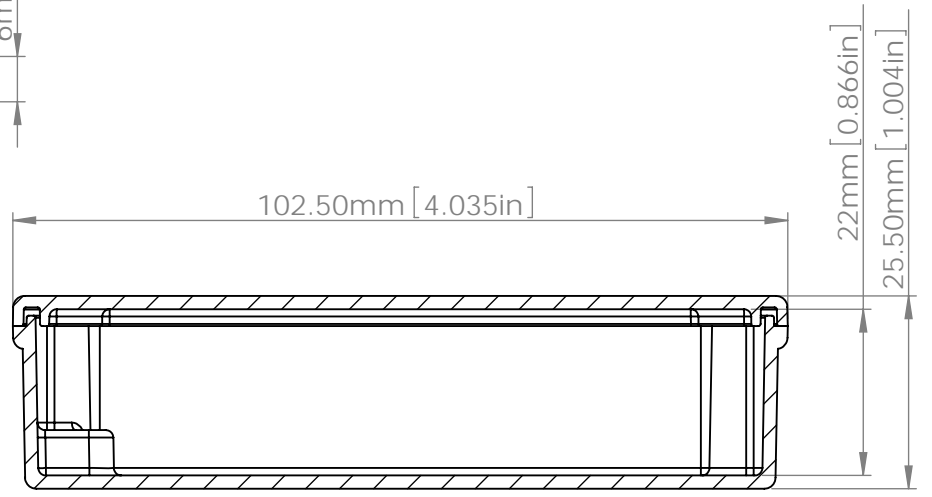
SECTION C-C



SECTION A-A



SECTION B-B



TOLERANCES: +/- 0.30 mm (+/- 0.012in)

GAINTA INDUSTRIES LTD.	DRA'D BY	DATE	MATE.	TITLE:	DWG NO:	REVISID:
	JACKY	2009/10/26	ALUMINIUM ALLOY ADC-12	G112		A