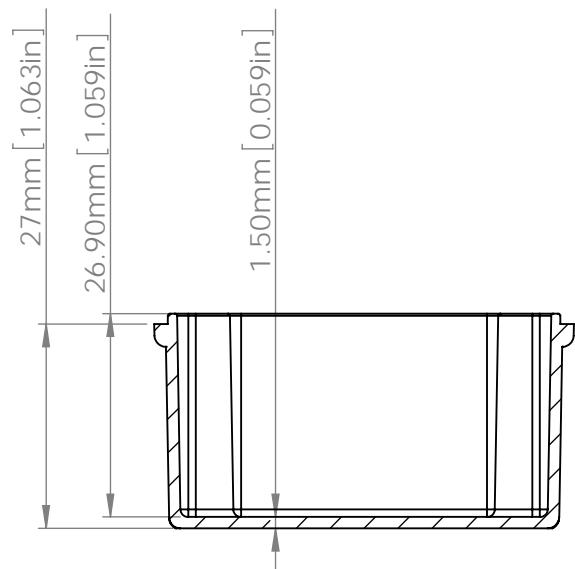
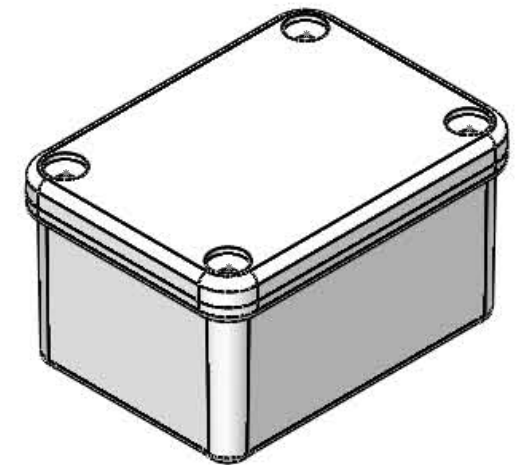
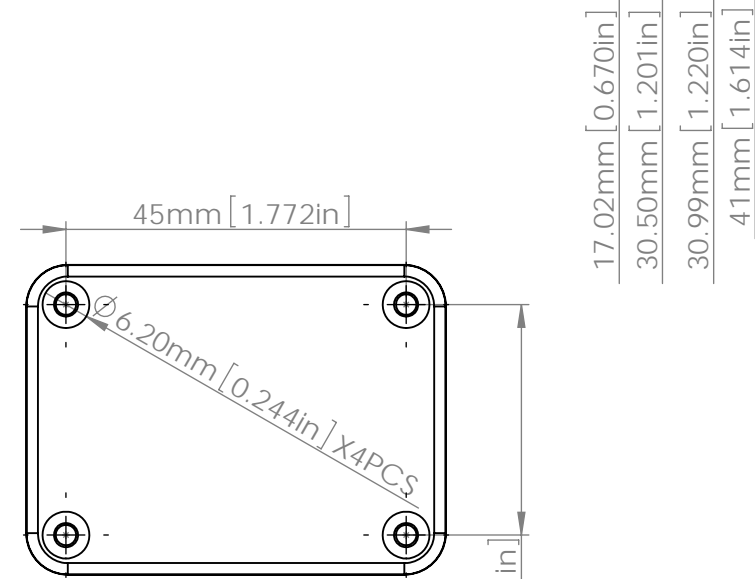
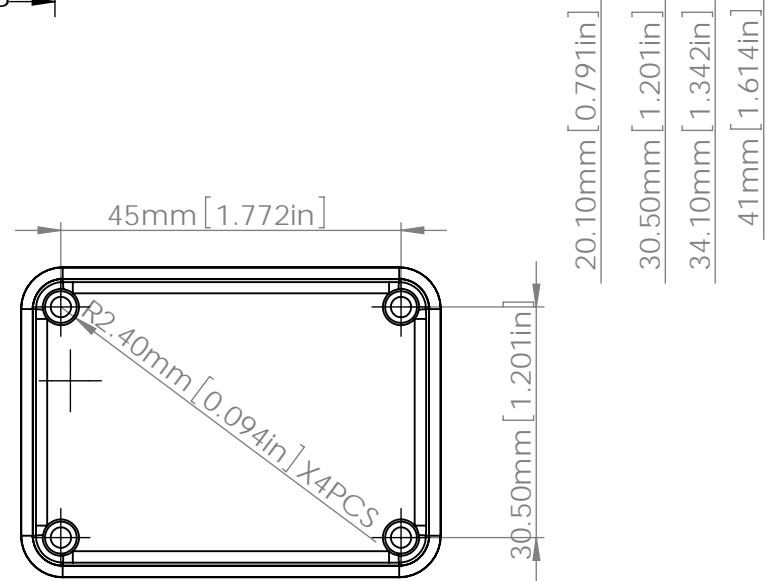
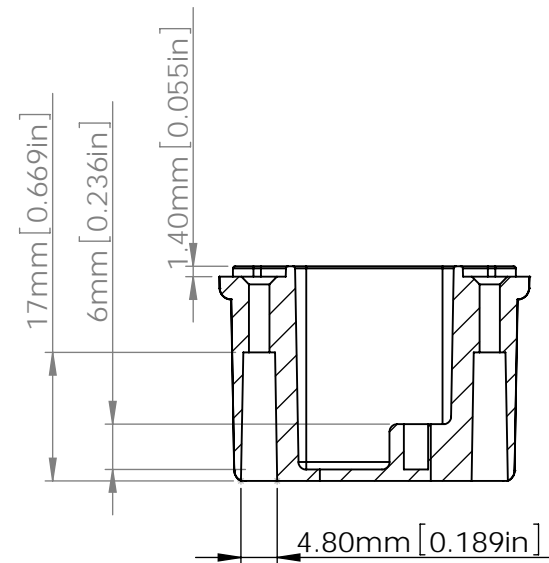


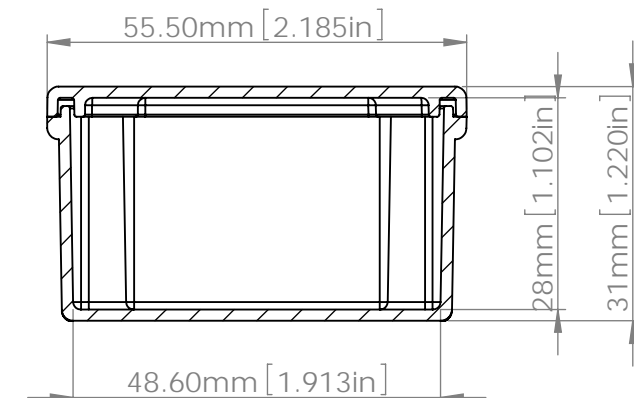
SECTION C-C
SCALE 1 : 1



SECTION A-A
SCALE 1 : 1



SECTION B-B
SCALE 1 : 1



TOLERANCES: +/- 0.30 mm (+/- 0.012in)