

ZHCS400

SILICON HIGH CURRENT SCHOTTKY BARRIER DIODE

Features

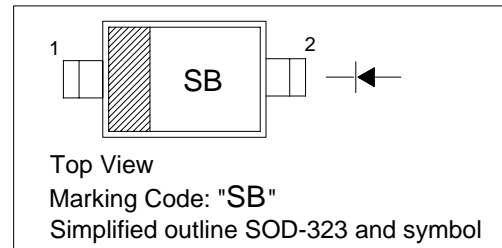
- Low V_F
- High current capability
- Miniature surface mount package

Applications:

- DC-DC converters
- Mobile telecom

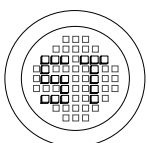
PINNING

PIN	DESCRIPTION
1	Cathode
2	Anode



Absolute Maximum Ratings ($T_j = 25^\circ\text{C}$)

Parameter	Symbol	Value	Unit
Continuous Reverse Voltage	V_R	40	V
Forward Current (Continuous)	I_F	400	mA
Average Peak Forward Current; D.C. = 50%	I_{FAV}	1000	mA
Non-Repetitive Forward Current $t \leq 100\mu\text{s}$	I_{FSM}	6.75 3	A A
Power Dissipation at $T_{amb} = 25^\circ\text{C}$	P_{tot}	250	mW
Storage Temperature Range	T_s	-55 to +150	°C
Junction Temperature Range	T_j	125	°C



®

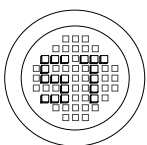
РАДИОТЕХ

Тел.: (495) 795-0805
Факс: (495) 234-1603
Эл. почта: info@rct.ru
Веб: www.rct.ru

ZHCS400

Characteristics at $T_j = 25\text{ }^\circ\text{C}$

Parameter	Test Conditions	Symbol	Min	Typ	Max	Unit
Reverse Breakdown Voltage	$I_R = 200\mu\text{A}$	$V_{(BR)R}$	40	60	-	V
Forward Voltage	$I_F = 50\text{mA}$	V_F	-	270	300	mV
	$I_F = 100\text{mA}$		-	300	350	mV
	$I_F = 250\text{mA}$		-	370	460	mV
	$I_F = 400\text{mA}$		-	425	500	mV
	$I_F = 750\text{mA}$		-	550	670	mV
	$I_F = 1000\text{mA}$		-	640	780	mV
	$I_F = 1500\text{mA}$		-	810	1050	mV
	$I_F = 500\text{mA}, T_{amb} = 100\text{ }^\circ\text{C}$	-	440	-	mV	
Reverse Current	$V_R = 30\text{V}$	I_R	-	15	40	μA
Diode Capacitance	$V_R = 25\text{V}, f = 1\text{MHz}$	C_D	-	20	-	pF
Reverse Recovery Time	Switched from $I_F = 500\text{mA}$ to $I_R = 500\text{mA}$	t_{rr}	-	10	-	ns



®

SEMTECH ELECTRONICS LTD.

(Subsidiary of Semtech International Holdings Limited, a company listed on the Hong Kong Stock Exchange, Stock Code: 724)



ISO/TS 16949 : 2002
Certificate No. 05103



ISO 14001
Certificate No. 7116



ISO 9001 : 2000
Certificate No. 555-155-10-201

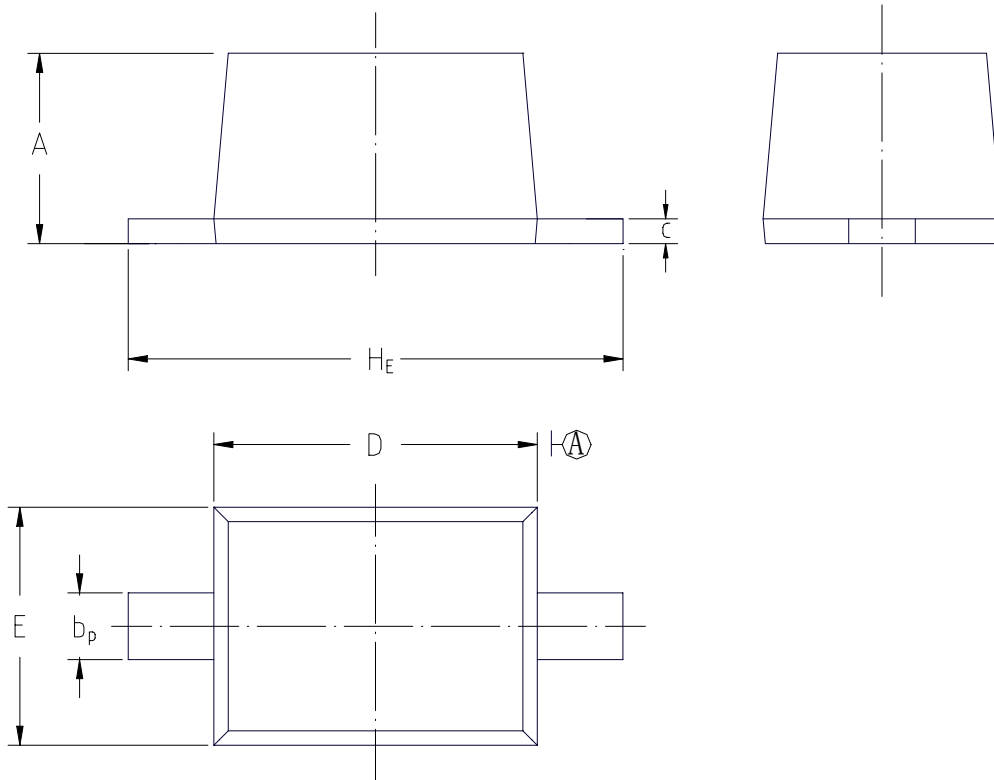
Dated : 30/08/2004

ZHCS400

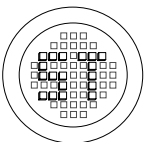
PACKAGE OUTLINE

Plastic surface mounted package; 2 leads

SOD-323



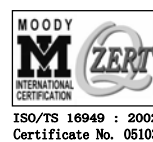
UNIT	A	b_p	c	D	E	H_E
mm	1.10 0.80	0.40 0.25	0.15 0.00	1.80 1.60	1.35 1.15	2.80 2.30



®

SEMTECH ELECTRONICS LTD.

(Subsidiary of Semtech International Holdings Limited, a company listed on the Hong Kong Stock Exchange, Stock Code: 724)



Dated : 30/08/2004