

SD101AWS...SD101CWS

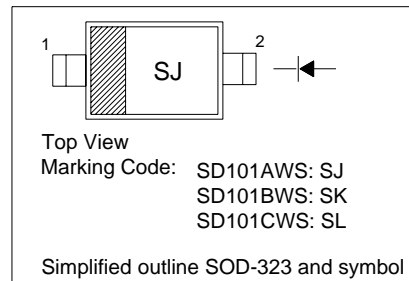
SCHOTTKY DIODES Plastic-Encapsulate Diodes

Features:

- Low Forward Voltage Drop.
- Guard Ring Construction for Transient Protection.
- Negligible Reverse Recovery Time.

PINNING

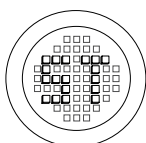
PIN	DESCRIPTION
1	Cathode
2	Anode



Absolute Maximum Ratings (T_a = 25?)

Characteristic		Symbol	Value	Unit
Peak Repetitive Reverse Voltage	SD101AWS	V _{RRM}	60	V
	SD101BWS	V _{RRM}	50	V
	SD101CWS	V _{RRM}	40	V
Working Peak Reverse Voltage	SD101AWS	V _{RWM}	60	V
	SD101BWS	V _{RWM}	50	V
	SD101CWS	V _{RWM}	40	V
DC Blocking Voltage	SD101AWS	V _R	60	V
	SD101BWS	V _R	50	V
	SD101CWS	V _R	40	V
RMS Reverse Voltage	SD101AWS	V _{R(RMS)}	42	V
	SD101BWS	V _{R(RMS)}	35	V
	SD101CWS	V _{R(RMS)}	28	V
Forward Continuous Current (Note 1)		I _{FM}	15	mA
Power Dissipation (Note 1)		P _{tot}	200	mW
Non-Repetitive Peak Forward Surge Current @ t? 1.0s @ t=10μ s		I _{FSM}	50	mA
			2	A
Thermal Resistance, Junction to Ambient Air (Note 1)		R _{θJA}	625	K/W
Operating Temperature		T _j	-65 to +125	?
Storage Temperature Range		T _S	-65 to +125	?

¹⁾ Valid provided that terminals are kept at ambient temperature.



®

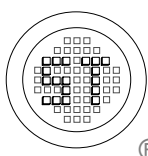
РАДИОТЕХ

Тел.: (495) 795-0805
Факс: (495) 234-1603
Эл. почта: info@rct.ru
Веб: www.rct.ru

SD101AWS...SD101CWS

Characteristics at $T_{amb} = 25^{\circ}\text{C}$

Characteristic		Symbol	Min.	Typ.	Max.	Unit
Reverse Breakdown Voltage (Note 2) at $I_R = 10\mu\text{A}$	SD101AWS	$V_{(BR)R}$	60	-	-	V
	SD101BWS	$V_{(BR)R}$	50	-	-	V
	SD101CWS	$V_{(BR)R}$	40	-	-	V
Forward Voltage Drop at $I_F = 1\text{mA}$ at $I_F = 15\text{mA}$	SD101AWS	V_{FM}	-	-	0.41	V
	SD101BWS	V_{FM}	-	-	0.4	V
	SD101CWS	V_{FM}	-	-	0.39	V
	SD101AWS	V_{FM}	-	-	1	V
	SD101BWS	V_{FM}	-	-	0.95	V
	SD101CWS	V_{FM}	-	-	0.9	V
Peak Reverse Current at $V_R = 50\text{V}$ at $V_R = 40\text{V}$ at $V_R = 30\text{V}$	SD101AWS	I_{RM}	-	-	200	nA
	SD101BWS	I_{RM}	-	-	200	nA
	SD101CWS	I_{RM}	-	-	200	nA
Junction Capacitance at $V_R = 0\text{V}$, $f = 1\text{MHz}$	SD101AWS	C_{tot}	-	-	2	pF
	SD101BWS	C_{tot}	-	-	2.1	pF
	SD101CWS	C_{tot}	-	-	2.2	pF
Reverse Recovery Time at $I_F = I_R = 5\text{mA}$, $I_{rr} = 0.1 \times I_R$, $R_L = 100\Omega$		t_{rr}	-	-	1	ns
2) Test period <3000 μs						



SEMTECH ELECTRONICS LTD.

(Subsidiary of Semtech International Holdings Limited, a company listed on the Hong Kong Stock Exchange, Stock Code: 724)



ISO/TS 16949 : 2002
Certificate No. 05103



ISO 14001
Certificate No. 7116



ISO 9001 : 2000
Certificate No. 039-109-01-002-001

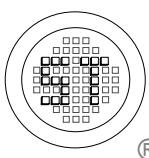
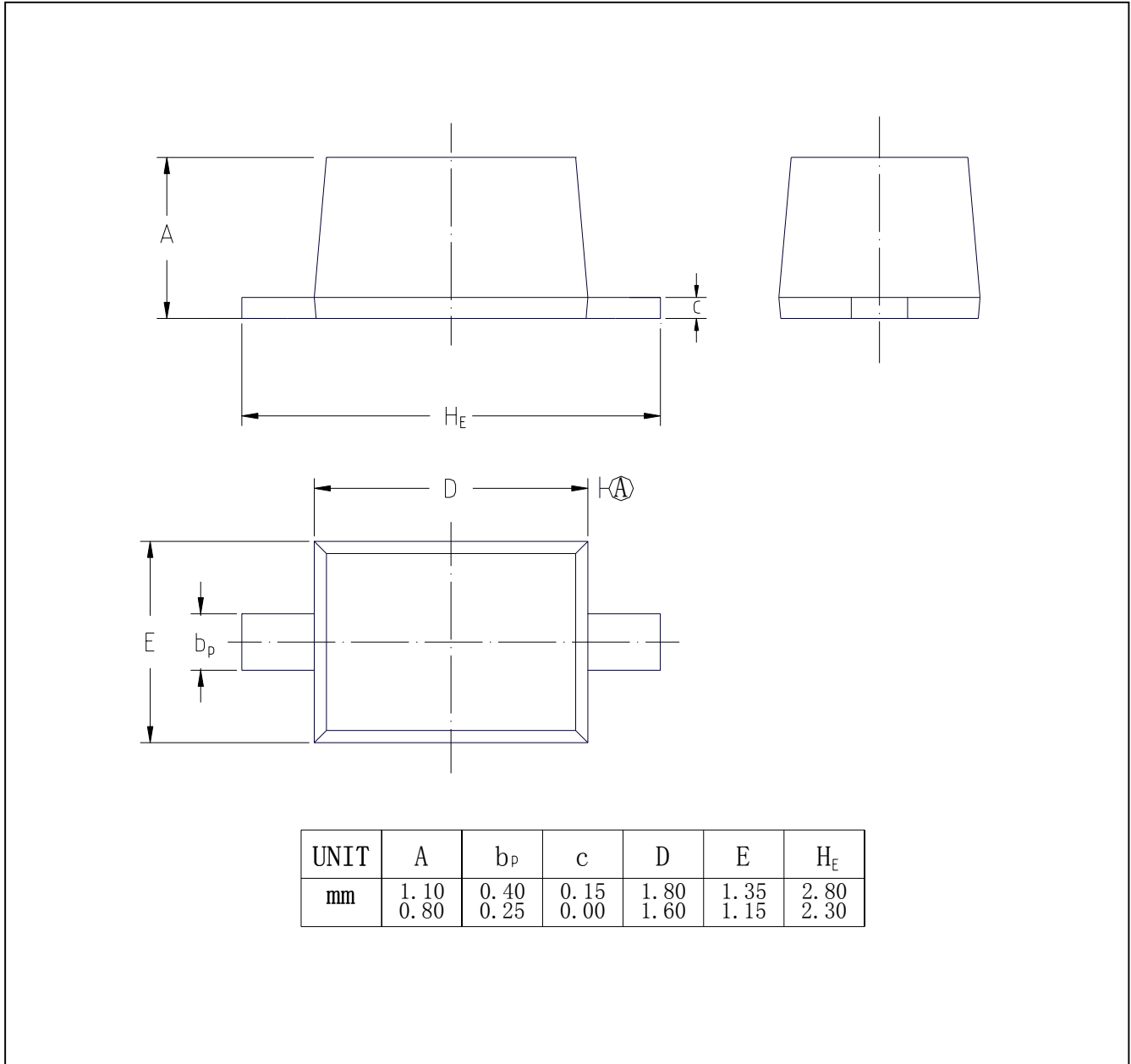
Dated : 30/08/2004

SD101AWS...SD101CWS

PACKAGE OUTLINE

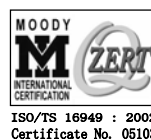
Plastic surface mounted package; 2 leads

SOD-323



SEMTECH ELECTRONICS LTD.

(Subsidiary of Semtech International Holdings Limited, a company listed on the Hong Kong Stock Exchange, Stock Code: 724)



ISO/TS 16949 : 2002
Certificate No. 05103



ISO 14001
Certificate No. 7116



ISO 9001 : 2000
Certificate No. 020-100-0102-001

Dated : 30/08/2004