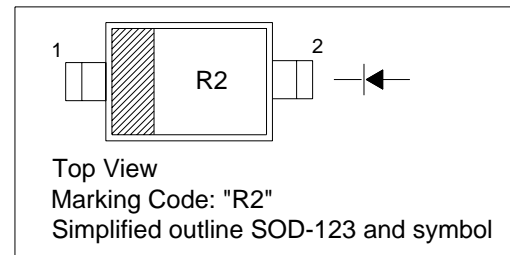


# CRS08

## RECTIFIER DIODE

### PINNING

PIN	DESCRIPTION
1	Cathode
2	Anode

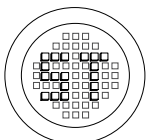


### Absolute Maximum Ratings ( $T_a = 25^\circ\text{C}$ )

	Symbol	Value	Unit
Peak Repetitive Reverse Voltage	$V_{RRM}$	30	V
Forward Continuous Current	$I_{F(AV)}$	1.5	A
Non-Repetitive Peak Forward Surge Current	$I_{FSM}$	30	A
Operating Temperature Range	$T_j$	-40 to +125	?
Storage Temperature Range	$T_s$	-40 to +150	?

### Characteristics at $T_{amb} = 25^\circ\text{C}$

	Symbol	Min.	Typ.	Max.	Unit
Forward Voltage Drop at $I_{FM} = 1.5\text{A}$	$V_{FM}$	-	-	0.36	V
Reverse Leakage Current at $V_{RRM} = 30\text{V}$	$I_{RRM}$	-	-	1	mA



®

**РАДИОТЕХ**

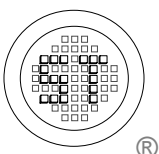
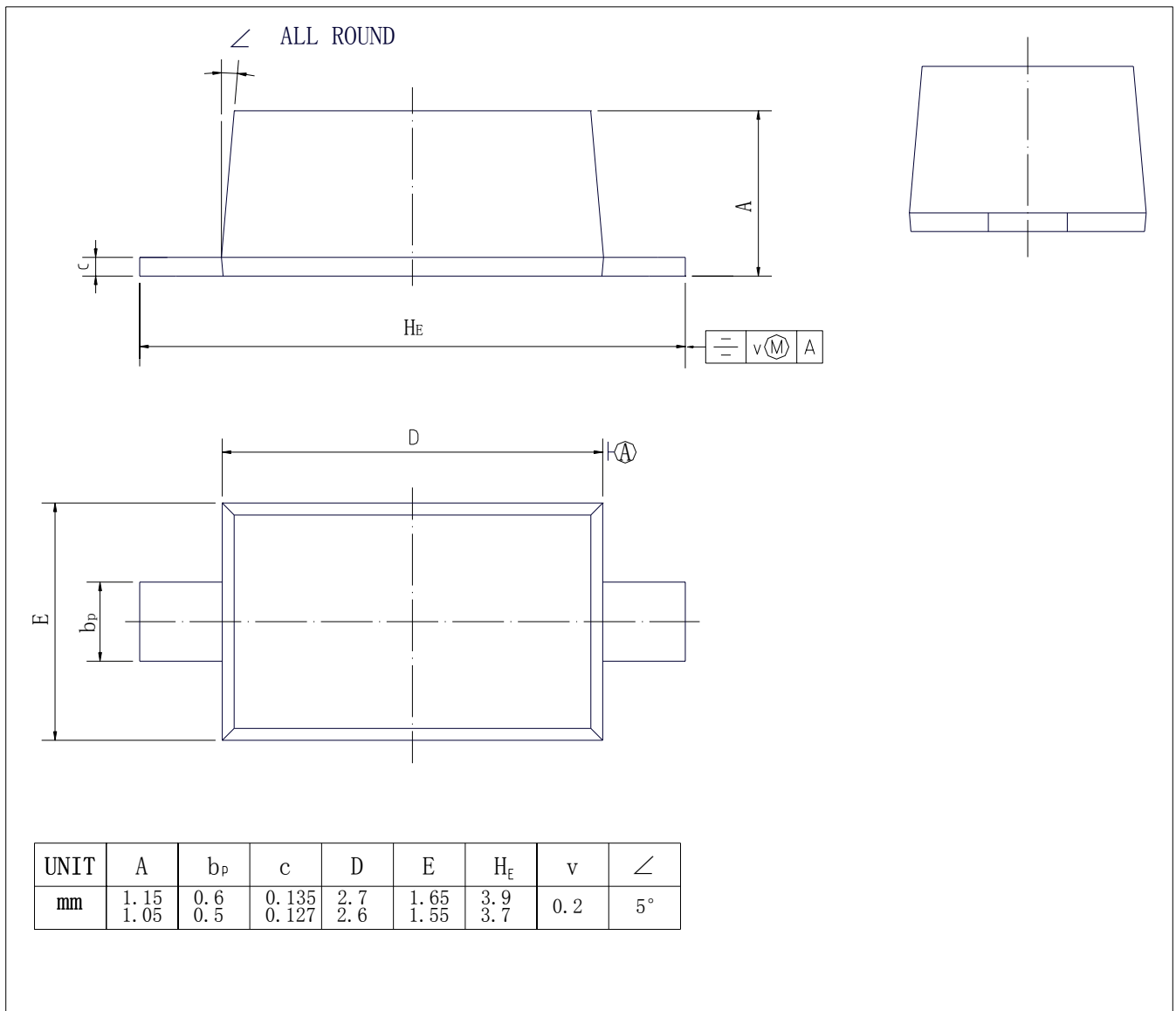
Тел.: (495) 795-0805  
Факс: (495) 234-1603  
Эл. почта: info@rct.ru  
Веб: www.rct.ru

# CRS08

## PACKAGE OUTLINE

Plastic surface mounted package; 2 leads

SOD-123



## SEMTECH ELECTRONICS LTD.

(Subsidiary of Semtech International Holdings Limited, a company listed on the Hong Kong Stock Exchange, Stock Code: 724)



ISO/TS 16949 : 2002  
Certificate No. 05103



ISO 14001  
Certificate No. 7116



ISO 9001 : 2000  
Certificate No. 555-199-41-102-114

Dated : 22/09/2004