

1SV270

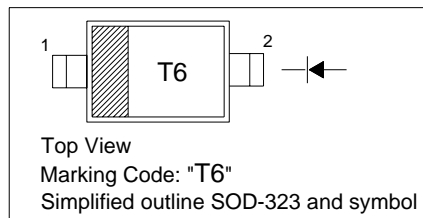
VARIABLE CAPACITANCE DIODE SILICON EPITAXIAL PLANAR TYPE VCO FOR UHF BAND RADIO

FEATURES

- High capacitance ratio: $C1V/C4V = 2.0$ (Typ.)
- Small package
- Low series resistance : $r_s = 0.28\Omega$ (Typ.)

PINNING

PIN	DESCRIPTION
1	Cathode
2	Anode

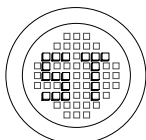


Absolute Maximum Ratings ($T_a = 25\text{ }^\circ\text{C}$)

Parameter	Symbol	Limits	Unit
Reverse voltage	V_R	10	V
Junction temperature	T_j	125	$^\circ\text{C}$
Storage temperature range	T_{stg}	-55 ... +125	$^\circ\text{C}$

Electrical Characteristics ($T_a = 25\text{ }^\circ\text{C}$)

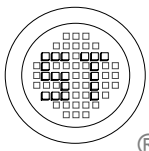
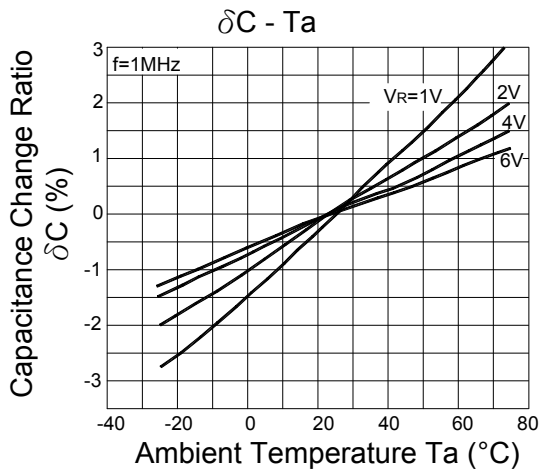
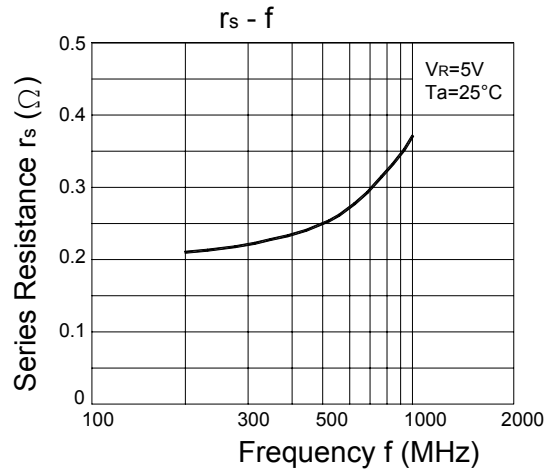
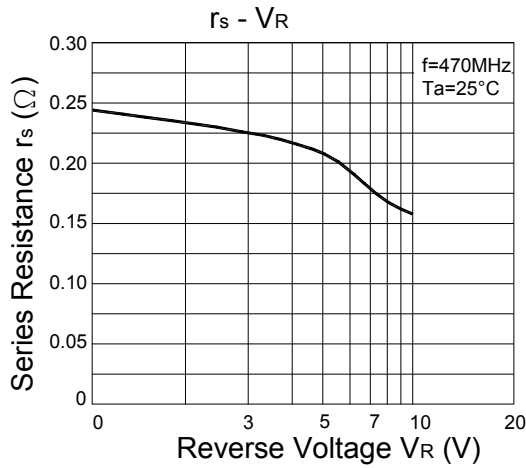
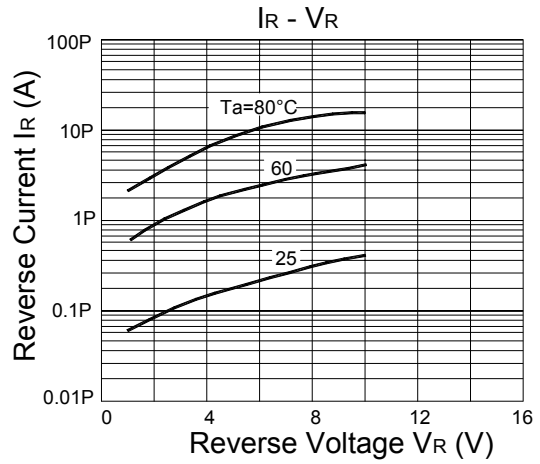
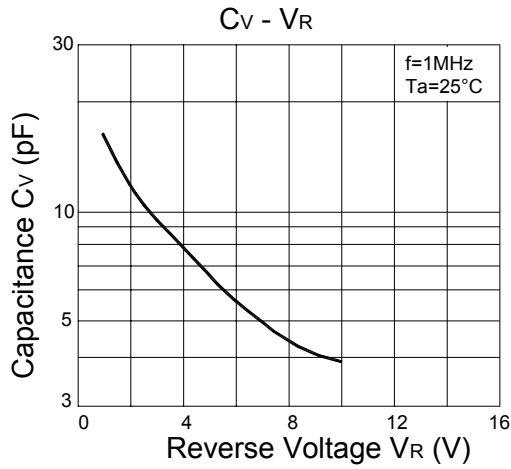
Parameter	Test Conditions	Symbol	Min.	Typ.	Max.	Unit
Reverse voltage	$I_R = 1\mu\text{A}$	V_R	10	-	-	V
Reverse current	$V_R = 10\text{V}$	I_R	-	-	3	nA
Capacitance	$V_R = 1\text{V}, f = 1\text{MHz}$	C1V	15	16	17	pF
Capacitance	$V_R = 4\text{V}, f = 1\text{MHz}$	C4V	7.3	8.0	8.7	pF
Capacitance ratio	-	C1V/ C4V	1.8	2.0	-	-
Series resistance	$V_R = 1\text{V}, f = 470\text{MHz}$	r_s	-	0.28	0.5	Ω



®

РАДИОТЕХ

Тел.: (495) 795-0805
Факс: (495) 234-1603
Эл. почта: info@rct.ru
Веб: www.rct.ru



SEMTECH ELECTRONICS LTD.

(Subsidiary of Semtech International Holdings Limited, a company listed on the Hong Kong Stock Exchange, Stock Code: 724)



ISO/TS 16949 : 2002
Certificate No. 05103



ISO 14001
Certificate No. 7116

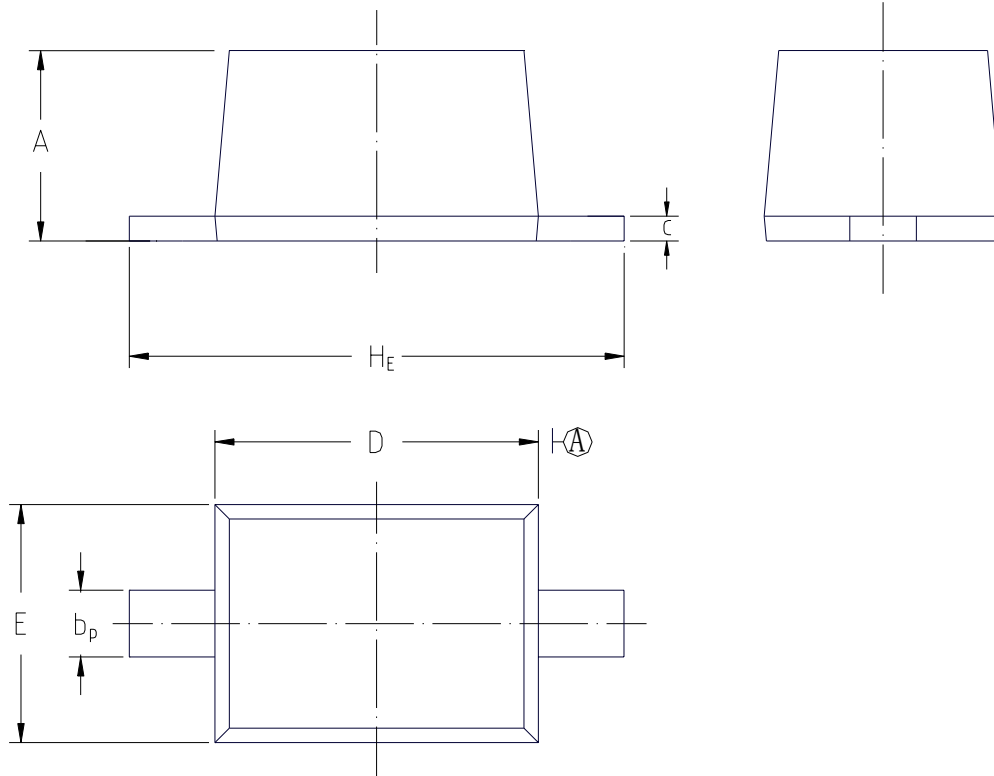


ISO 9001 : 2000
Certificate No. 550-159-04-002-04

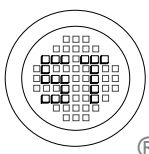
1SV270

PACKAGE OUTLINE

SOD-323



UNIT	A	b_p	c	D	E	H_E
mm	1.10 0.80	0.40 0.25	0.15 0.00	1.80 1.60	1.35 1.15	2.80 2.30



SEMTECH ELECTRONICS LTD.

(Subsidiary of Semtech International Holdings Limited, a company listed on the Hong Kong Stock Exchange, Stock Code: 724)



ISO/TS 16949 : 2002
Certificate No. 05103



ISO 14001
Certificate No. 7116



ISO 9001 : 2000
Certificate No. 550-1559-04-002-04

Dated : 30/08/2004