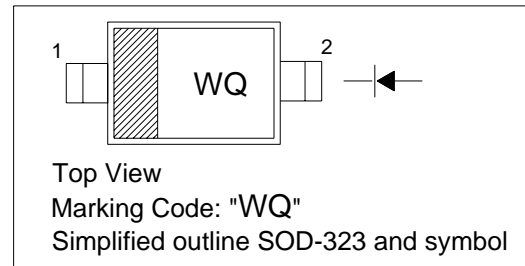


1N914WS

Small Signal Diode

PINNING

PIN	DESCRIPTION
1	Cathode
2	Anode

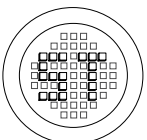


Absolute Maximum Ratings (Ta=25 °C)

Parameter	Symbol	Limits	Unit
Repetitive reverse voltage	V_{RRM}	100	V
Average rectified forward current	$I_{F(AV)}$	200	mA
Non-repetitive peak forward surge current	I_{FSM}		
Pulse width=1second		0.5	A
Pulse width=1microsecond		1.0	A
Power dissipation	p_{tot}	200	mW
Thermal resistance , junction to ambient	$R_{\theta JA}$	312	°C/W
Junction temperature	T_J	150	°C
Storage temperature	T_{stg}	-55 to +150	°C

Electrical Characteristics (Ta=25 °C)

Parameter	Symbol	Min	Typ	Max	Unit	Conditons
Breakdown voltage	V_R	75	-	-	V	$I_R=5.0\mu A$
		100	-	-	V	$I_R=100\mu A$
Forward voltage	V_F	-	-	1.0	V	$I_F=10mA$
Reverse current	I_R	-	-	25	nA	$V_R=20V$
				5.0	μA	$V_R=75V$
				50	μA	$V_R=20V, T_J=150?$
Capacitance	C_{tot}	-	-	4.0	pF	$V_R=0V, f=1MHz$
Reverse recovery time	t_{rr}	-	-	50	ns	$I_F=I_R=30mA,$ $R_L=100\Omega, I_{RR}=3.0mA,$



®

РАДИОТЕХ

Тел.: (495) 795-0805
Факс: (495) 234-1603
Эл. почта: info@rct.ru
Веб: www.rct.ru

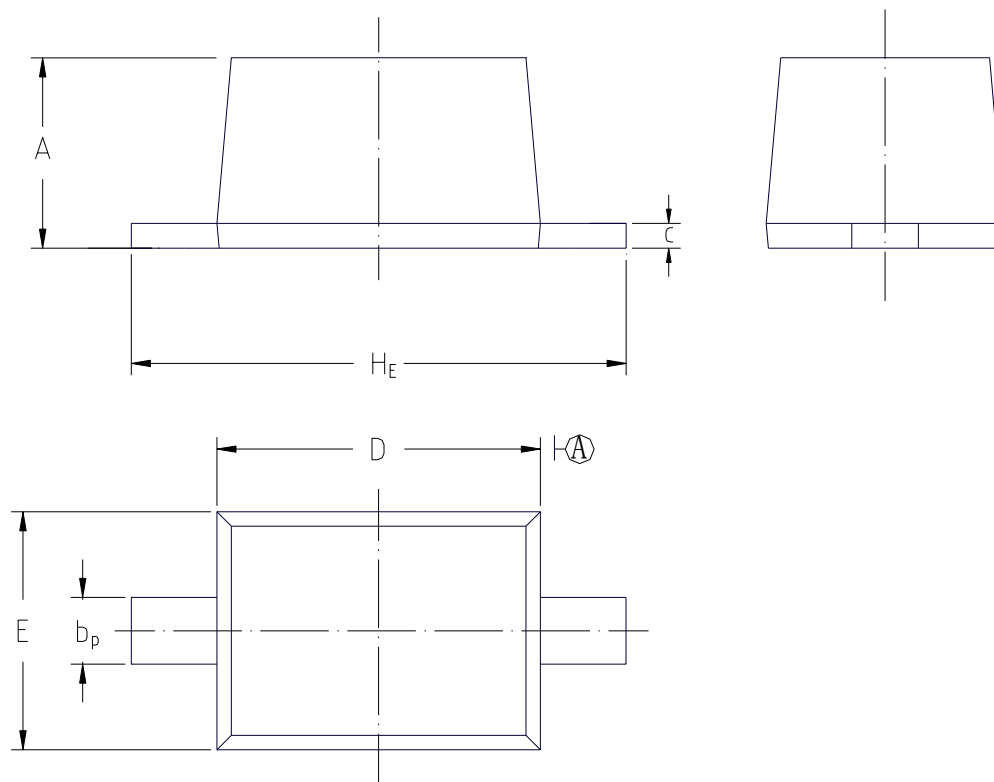
1N914WS

Small Signal Diodes

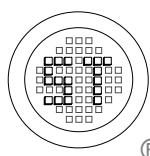
PACKAGE OUTLINE

Plastic surface mounted package; 2 leads

SOD-323

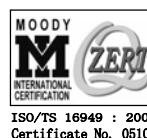


UNIT	A	b_p	c	D	E	H_E
mm	1.10 0.80	0.40 0.25	0.15 0.00	1.80 1.60	1.35 1.15	2.80 2.30



SEMTECH ELECTRONICS LTD.

(Subsidiary of Semtech International Holdings Limited, a company listed on the Hong Kong Stock Exchange, Stock Code: 724)



Dated : 24/11/2004