

1N6263W

SURFACE MOUNT SCHOTTKY BARRIER DIODE

Features:

- Low Forward Voltage Drop
- Guard Ring Construction for Transient Protection
- Fast Switching Time
- Low Reverse Capacitance
- Surface Mount Package Ideally Suited for Automatic Insertion

Mechanical Data:

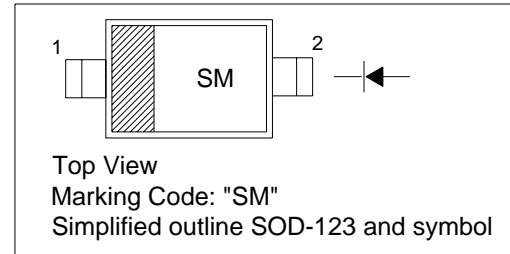
Case: SOD-123, Plastic

Terminals : Solderable per MIL-STD-202, Method 208

Polarity : Cathode Band

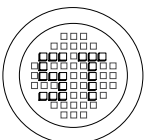
PINNING

PIN	DESCRIPTION
1	Cathode
2	Anode



Absolute Maximum Ratings (T_a = 25°C)

	Symbol	Value	Unit
Peak Repetitive Reverse Voltage	V _{RRM}	60	V
Working Peak Reverse Voltage	V _{RWM}	60	V
DC Blocking Voltage	V _R	60	V
RMS Reverse Voltage	V _{R(RMS)}	42	V
Forward Continuous Current	I _F	15	mA
Power Dissipation	P _{tot}	333	mW
Non-Repetitive Peak Forward Surge Current @ t ≤ 1.0s @ t=10ms	I _{FSM}	50 2.0	mA A
Thermal Resistance Junction to Ambient Air	R _{θJA}	300	? /W
Operating Temperature Range	T _j	-55 to +125	?
Storage Temperature Range	T _s	-55 to +150	?



®

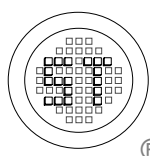
РАДИОТЕХ

Тел.: (495) 795-0805
Факс: (495) 234-1603
Эл. почта: info@rct.ru
Веб: www.rct.ru

1N6263W

Characteristics at $T_{amb} = 25^{\circ}\text{C}$

	Symbol	Min.	Typ.	Max.	Unit
Reverse Breakdown Voltage at $I_R = 10\mu\text{A}$	$V_{(BR)R}$	60	-	-	V
Forward Voltage Drop	at $I_F = 1\text{mA}$	V_{FM}	-	0.41	V
	at $I_F = 15\text{mA}$	V_{FM}	-	1.0	V
Reverse Leakage Current at $V_R = 50\text{V}$	I_{RM}	-	-	200	nA
Total Capacitance at $V_R = 0\text{V}$, $f = 1\text{MHz}$	C_{tot}	-	-	2.2	pF
Reverse Recovery Time at $I_F = I_R = 5\text{mA}$, $I_{rr} = 0.1 \times I_R$, $R_L = 100\Omega$	t_{rr}	-	-	1	ns



SEMTECH ELECTRONICS LTD.

(Subsidiary of Semtech International Holdings Limited, a company listed on the Hong Kong Stock Exchange, Stock Code: 724)



ISO/TS 16949 : 2002
Certificate No. 05103



ISO 14001
Certificate No. 7116



ISO 9001 : 2000
Certificate No. 250-159-04-002-04

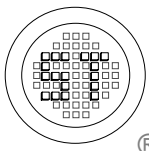
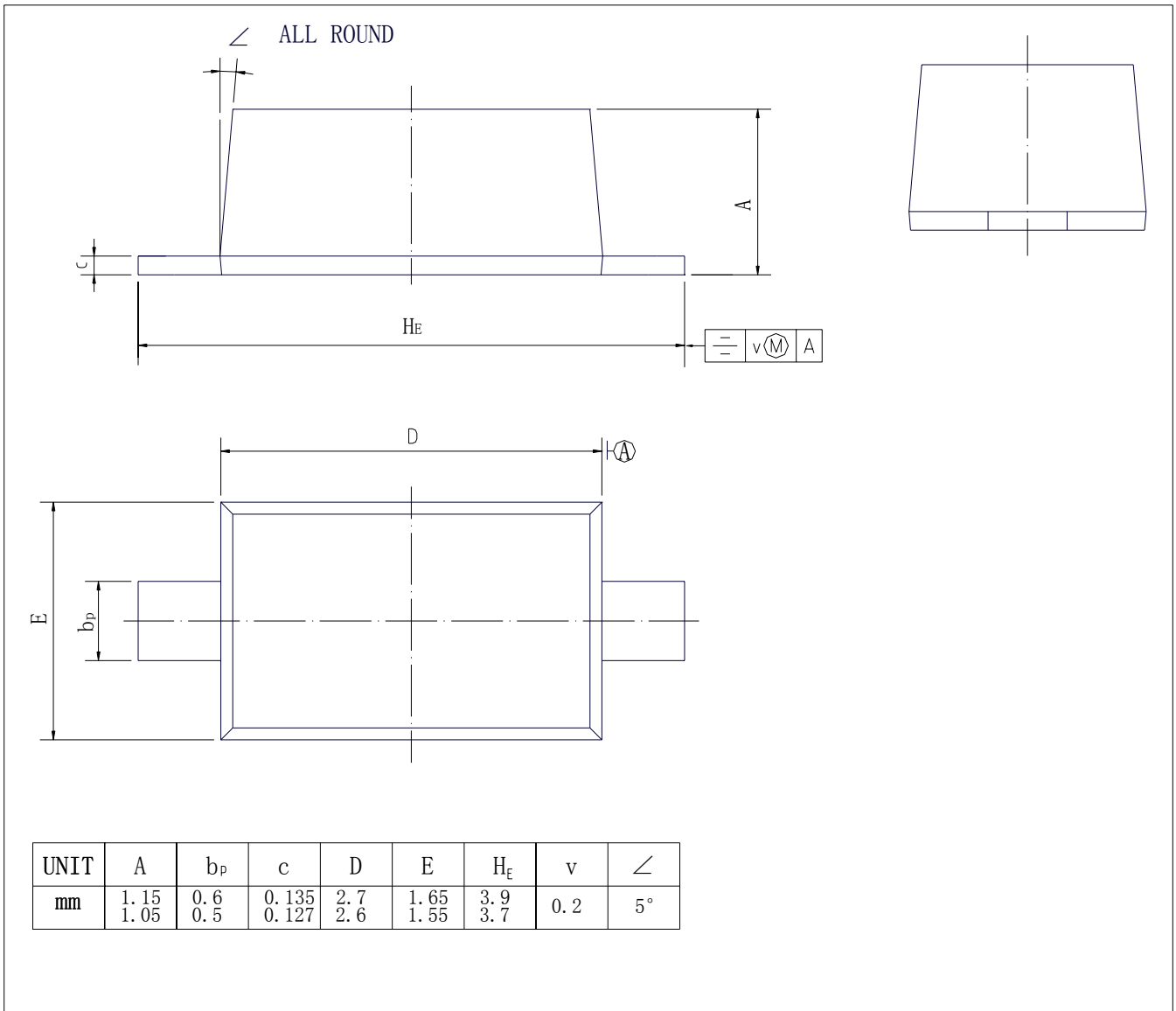
Dated : 12/08/2004

1N6263W

PACKAGE OUTLINE

Plastic surface mounted package; 2 leads

SOD-123



SEMTECH ELECTRONICS LTD.

(Subsidiary of Semtech International Holdings Limited, a company listed on the Hong Kong Stock Exchange, Stock Code: 724)



ISO/TS 16949 : 2002
Certificate No. 05103



ISO 14001
Certificate No. 7116



ISO 9001 : 2000
Certificate No. 550-1559-04-002-04

Dated : 12/08/2004