

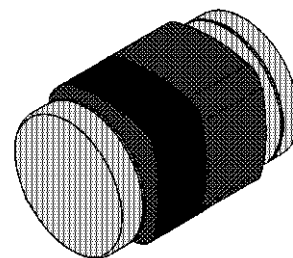
ZMC RD...S Series

ZENER DIODES

LS-31

Features

- Sharp Breakdown characteristic.
- Vz: Applied E24 standard.

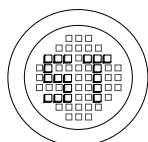


Applications

- Circuits for, Constant Voltage, Constant Current
Wave form clipper, Surge absorber, etc

Absolute Maximum Ratings (Ta = 25 °C)

	Symbol	Value	Unit
Power Dissipation	P_{tot}	200	mW
Forward Current	I_F	100	mA
Reverse Surge Power At t = 10µs/1 pulse	P_{RSM}	85	W
Junction Temperature	T_j	150	°C
Storage Temperature Range	T_S	-55 to +150	°C



®

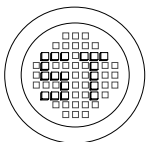
РАДИОТЕХ

Тел.: (495) 795-0805
Факс: (495) 234-1603
Эл. почта: info@rct.ru
Веб: www.rct.ru

ZMC RD...S Series

Characteristics at Ta = 25 °C

TYPE	Zener Voltage			Dynamic Impedance		Reverse Current	
	V_Z (V) ^{Note1}			Z_Z (Ω) ^{Note2}		I_R (μ A)	
	Min.	Max.	I_Z (mA)	Max.	I_Z (mA)	Max.	V_R (V)
ZMCRD2.0SB	1.80	2.15	5	100	5	120	0.5
ZMCRD2.2SB	2.10	2.40	5	100	5	120	0.7
ZMCRD2.4SB	2.30	2.60	5	100	5	120	1.0
ZMCRD2.7SB	2.50	2.90	5	110	5	120	1.0
ZMCRD2.7SB1	2.50	2.75					
ZMCRD2.7SB2	2.65	2.90					
ZMCRD3.0SB	2.80	3.20	5	120	5	50	1.0
ZMCRD3.0SB1	2.80	3.05					
ZMCRD3.0SB2	2.95	3.20					
ZMCRD3.3SB	3.10	3.50	5	130	5	20	1.0
ZMCRD3.3SB1	3.10	3.35					
ZMCRD3.3SB2	3.25	3.50					
ZMCRD3.6SB	3.40	3.80	5	130	5	10	1.0
ZMCRD3.6SB1	3.40	3.65					
ZMCRD3.6SB2	3.55	3.80					
ZMCRD3.9SB	3.70	4.10	5	130	5	10	1.0
ZMCRD3.9SB1	3.70	3.97					
ZMCRD3.9SB2	3.87	4.10					
ZMCRD4.3SB	4.00	4.49	5	130	5	10	1.0
ZMCRD4.3SB1	4.00	4.22					
ZMCRD4.3SB2	4.14	4.35					
ZMCRD4.3SB3	4.27	4.49	5	130	5	10	1.0
ZMCRD4.7SB	4.40	4.92					
ZMCRD4.7SB1	4.40	4.63					
ZMCRD4.7SB2	4.53	4.77	5	130	5	10	1.0
ZMCRD4.7SB3	4.67	4.92					
ZMCRD5.1SB	4.82	5.39					
ZMCRD5.1SB1	4.82	5.06					
ZMCRD5.1SB2	4.96	5.22					
ZMCRD5.1SB3	5.12	5.39	5	80	5	5	2.5
ZMCRD5.6SB	5.29	5.94					
ZMCRD5.6SB1	5.29	5.57					
ZMCRD5.6SB2	5.47	5.75	5	50	5	2	3.0
ZMCRD5.6SB3	5.65	5.94					
ZMCRD6.2SB	5.84	6.55					
ZMCRD6.2SB1	5.84	6.14					
ZMCRD6.2SB2	6.04	6.35					
ZMCRD6.2SB3	6.24	6.55	5	30	5	2	3.5
ZMCRD6.8SB	6.44	7.17					
ZMCRD6.8SB1	6.44	6.76					
ZMCRD6.8SB2	6.62	6.96	5	30	5	2	4.0
ZMCRD6.8SB3	6.83	7.17					
ZMCRD7.5SB	7.03	7.87					
ZMCRD7.5SB1	7.03	7.39					
ZMCRD7.5SB2	7.25	7.63					
ZMCRD7.5SB3	7.49	7.87	5	30	5	2	5.0
ZMCRD8.2SB	7.73	8.67					
ZMCRD8.2SB1	7.73	8.13					
ZMCRD8.2SB2	7.98	8.39	5	30	5	2	5.0
ZMCRD8.2SB3	8.25	8.67					



SEMTECH ELECTRONICS LTD.

(Subsidiary of Semtech International Holdings Limited, a company listed on the Hong Kong Stock Exchange, Stock Code: 724)

®



ISO/TS 16949 : 2002
Certificate No. 05103



ISO 14001:2004
Certificate No. 7116



ISO 9001:2000
Certificate No. 0506098

Dated : 22/01/2005

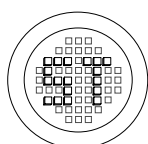
ZMC RD...S Series

Characteristics at Ta = 25°C

TYPE	Zener Voltage			Dynamic Impedance		Reverse Current	
	V_Z (V) ^{Note1}			Z_Z (Ω) ^{Note2}		I_R (μ A)	
	Min.	Max.	I_Z (mA)	Max.	I_Z (mA)	Max.	V_R (V)
ZMCRD9.1SB	8.53	9.58	5	30	5	2	6.0
ZMCRD9.1SB1	8.53	8.96					
ZMCRD9.1SB2	8.81	9.26					
ZMCRD9.1SB3	9.12	9.58					
ZMCRD10SB	9.42	10.58	5	30	5	2	7.0
ZMCRD10SB1	9.42	9.90					
ZMCRD10SB2	9.74	10.24					
ZMCRD10SB3	10.08	10.58					
ZMCRD11SB	10.40	11.60	5	30	5	2	8.0
ZMCRD11SB1	10.40	10.92					
ZMCRD11SB2	10.72	11.26					
ZMCRD11SB3	11.06	11.60					
ZMCRD12SB	11.38	12.64	5	35	5	2	9.0
ZMCRD12SB1	11.38	11.94					
ZMCRD12SB2	11.69	12.28					
ZMCRD12SB3	12.04	12.64					
ZMCRD13SB	12.43	14.00	5	35	5	2	10
ZMCRD15SB	13.80	15.56	5	40	5	2	11
ZMCRD16SB	15.31	17.14	5	40	5	2	12
ZMCRD18SB	16.89	19.08	5	45	5	2	13
ZMCRD20SB	18.80	21.14	5	50	5	2	15
ZMCRD22SB	20.81	23.25	5	55	5	2	17
ZMCRD24SB	22.86	25.66	5	60	5	2	19
ZMCRD27SB	25.10	28.90	2	70	2	2	21
ZMCRD30SB	28.00	32.00	2	80	2	2	23
ZMCRD33SB	31.00	35.00	2	80	2	2	25
ZMCRD36SB	34.00	38.00	2	90	2	2	27
ZMCRD39SB	37.00	41.00	2	100	2	2	30
ZMCRD43SB	40.00	45.00	2	130	2	2	33
ZMCRD47SB	44.00	49.00	2	150	2	2	36
ZMCRD51SB	48.00	54.00	2	180	2	1	39
ZMCRD56SB	53.00	60.00	2	180	2	1	43
ZMCRD62SB	58.00	66.00	2	200	2	0.2	47
ZMCRD68SB	64.00	72.00	2	250	2	0.2	52
ZMCRD75SB	70.00	79.00	2	300	2	0.2	57
ZMCRD82SB	77.00	87.00	2	300	2	0.2	63
ZMCRD91SB	85.00	96.00	1	700	1	0.2	69
ZMCRD100SB	94.00	106.0	1	700	1	0.2	76
ZMCRD110SB	104.0	116.0	1	800	1	0.2	84
ZMCRD120SB	114.0	126.0	1	900	1	0.2	91

Note 1. V_Z is tested with pulse (20ms).

2. Z_Z is measured at I_Z by given a very small A.C. Current Signal.



SEMTECH ELECTRONICS LTD.

(Subsidiary of Semtech International Holdings Limited, a company listed on the Hong Kong Stock Exchange, Stock Code: 724)



ISO/TS 16949 : 2002
Certificate No. 05103



ISO 14001:2004
Certificate No. 7116



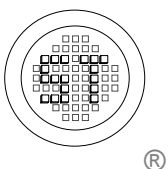
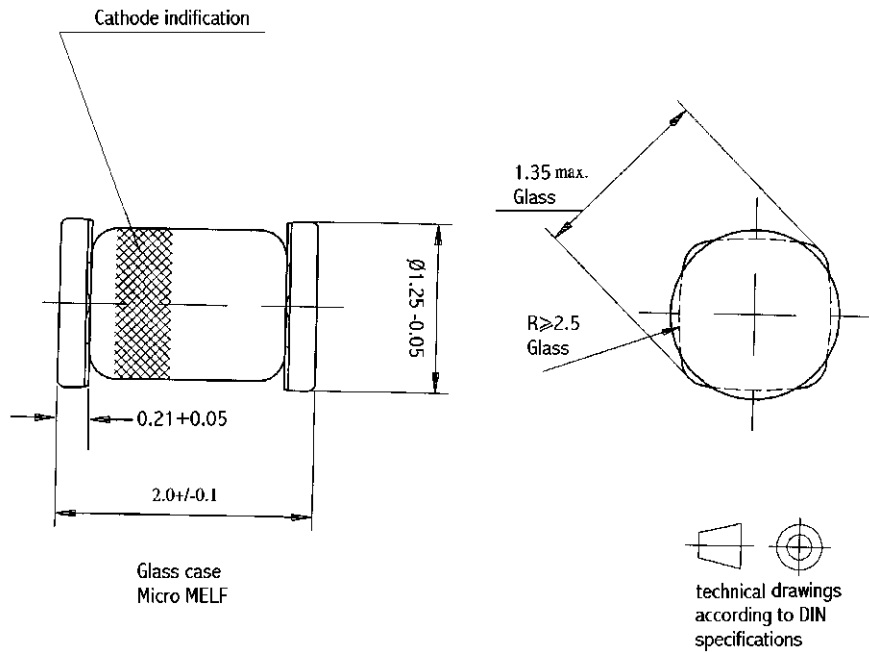
ISO 9001:2000
Certificate No. 0506098

®

Dated : 22/01/2005

ZMC RD...S Series

Dimensions in mm



SEMTECH ELECTRONICS LTD.

(Subsidiary of Semtech International Holdings Limited, a company listed on the Hong Kong Stock Exchange, Stock Code: 724)



Dated : 22/01/2005