

MM3Z2V0~MM3Z120

SILICON PLANAR ZENER DIODES

FEATURES

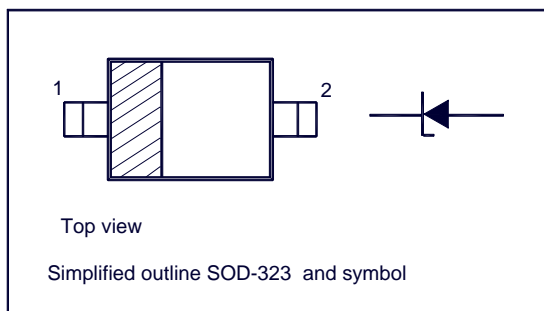
- Total power dissipation : max. 200 mW
- Small plastic package suitable for surface mounted design
- Tolerance approximately $\pm 5\%$

DESCRIPTION

Silicon planar zener diode in a small plastic SMD SOD-323 package

PINNING

PIN	DESCRIPTION
1	Cathode
2	Anode

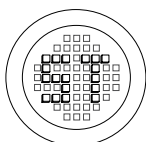


Absolute Maximum Ratings ($T_a = 25^\circ\text{C}$)

	Symbol	Value	Unit
Zener Current see Table "Characteristics"			
Power Dissipation	P_{tot}	200	mW
Junction Temperature	T_j	150	$^\circ\text{C}$
Storage Temperature Range	T_s	-55 to +150	$^\circ\text{C}$

Characteristics at $T_{\text{amb}} = 25^\circ\text{C}$

	Symbol	Min.	Typ.	Max.	Unit
Thermal Resistance Junction to Ambient Air	R_{thA}	-	-	0.3	K/mW
Forward Voltage at $I_F = 10\text{mA}$	V_F	-	-	0.9	V



®

РАДИОТЕХ

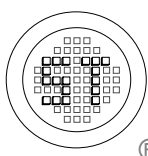
Тел.: (495) 795-0805
Факс: (495) 234-1603
Эл. почта: info@rct.ru
Веб: www.rct.ru

MM3Z2V0~MM3Z120

Type	Marking Code	Zener Voltage Range ¹⁾			Dynamic Impedance ²⁾		Reverse Leakage Current		Temp. coefficient of Zener Voltage
		V _{znom} V	I _{ZT} mA	for V _{ZT} V	Z _Z (Max) Ω	at I _Z mA	I _R (Max) μA	at V _R V	TKvz %/K
MM3Z 2V0	B0	2.0	5	1.80...2.15	100	5	120	0.5	-0.09...-0.06
MM3Z 2V2	C0	2.2	5	2.08...2.33	100	5	120	0.7	-0.09...-0.06
MM3Z 2V4	1C	2.4	5	2.28...2.56	100	5	120	1.0	-0.09...-0.06
MM3Z 2V7	1D	2.7	5	2.5...2.9	110	5	120	1.0	-0.09...-0.06
MM3Z 3V0	1E	3.0	5	2.8...3.2	120	5	50	1.0	-0.08...-0.05
MM3Z 3V3	1F	3.3	5	3.1...3.5	130	5	20	1.0	-0.08...-0.05
MM3Z 3V6	1H	3.6	5	3.4...3.8	130	5	10	1.0	-0.08...-0.05
MM3Z 3V9	1J	3.9	5	3.7...4.1	130	5	5	1.0	-0.08...-0.05
MM3Z 4V3	1K	4.3	5	4.0...4.6	130	5	5	1.0	-0.06...-0.03
MM3Z 4V7	1M	4.7	5	4.4...5.0	130	5	2	1.0	-0.05...+0.02
MM3Z 5V1	1N	5.1	5	4.8...5.4	130	5	2	1.5	-0.02...+0.02
MM3Z 5V6	1P	5.6	5	5.2...6.0	80	5	1	2.5	-0.05...+0.05
MM3Z 6V2	1R	6.2	5	5.8...6.6	50	5	1	3.0	0.03...0.06
MM3Z 6V8	1X	6.8	5	6.4...7.2	30	5	0.5	3.5	0.03...0.07
MM3Z 7V5	1Y	7.5	5	7.0...7.9	30	5	0.5	4.0	0.03...0.07
MM3Z 8V2	1Z	8.2	5	7.7...8.7	30	5	0.5	5.0	0.03...0.08
MM3Z 9V1	2A	9.1	5	8.5...9.6	30	5	0.5	6.0	0.03...0.09
MM3Z 10	2B	10	5	9.4...10.6	30	5	0.1	7.0	0.03...0.1
MM3Z 11	2C	11	5	10.4...11.6	30	5	0.1	8.0	0.03...0.11
MM3Z 12	2D	12	5	11.4...12.7	35	5	0.1	9.0	0.03...0.11
MM3Z 13	2E	13	5	12.4...14.1	35	5	0.1	10	0.03...0.11
MM3Z 15	2F	15	5	13.8...15.6	40	5	0.1	11	0.03...0.11
MM3Z 16	2H	16	5	15.3...17.1	40	5	0.1	12	0.03...0.11
MM3Z 18	2J	18	5	16.8...19.1	45	5	0.1	13	0.03...0.11
MM3Z 20	2K	20	5	18.8...21.2	50	5	0.1	15	0.03...0.11
MM3Z 22	2M	22	5	20.8...23.3	55	5	0.1	17	0.04...0.12
MM3Z 24	2N	24	5	22.8...25.6	60	5	0.1	19	0.04...0.12
MM3Z 27	2P	27	5	25.1...28.9	70	2	0.1	21	0.04...0.12
MM3Z 30	2R	30	5	28...32	80	2	0.1	23	0.04...0.12
MM3Z 33	2X	33	5	31...35	80	2	0.1	25	0.04...0.12
MM3Z 36	2Y	36	5	34...38	90	2	0.1	27	0.04...0.12
MM3Z 39	2Z	39	2.5	37...41	100	2	2	30	0.04...0.12
MM3Z 43	3A	43	2.5	40...46	130	2	2	33	0.04...0.12
MM3Z 47	3B	47	2.5	44...50	150	2	2	36	0.04...0.12
MM3Z 51	3C	51	2.5	48...54	180	2	1	39	0.04...0.12
MM3Z 56	3D	56	2.5	52...60	180	2	1	43	0.04...0.12
MM3Z 62	3E	62	2.5	58...66	200	2	0.2	47	0.04...0.12
MM3Z 68	3F	68	2.5	64...72	250	2	0.2	52	0.04...0.12
MM3Z 75	3H	75	2.5	70...79	300	2	0.2	57	0.04...0.12
MM3Z 82	3J	82	2.5	77...87	300	2	0.2	63	0.05...0.12
MM3Z 91	3K	91	1	85...96	700	1	0.2	69	0.05...0.12
MM3Z 100	3M	100	1	94...106	700	1	0.2	76	0.05...0.12
MM3Z 110	3N	110	1	104...116	800	1	0.2	84	0.05...0.12
MM3Z 120	3P	120	1	114...127	900	1	0.2	91	0.05...0.12

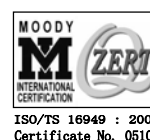
1) V_Z is tested with pulses (20 ms).

2) Z_Z is measured at I_Z by given a very small A.C. current signal.



SEMTECH ELECTRONICS LTD.

(Subsidiary of Semtech International Holdings Limited, a company listed on the Hong Kong Stock Exchange, Stock Code: 724)



ISO/TS 16949 : 2002
Certificate No. 05103



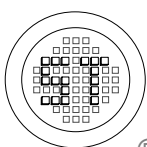
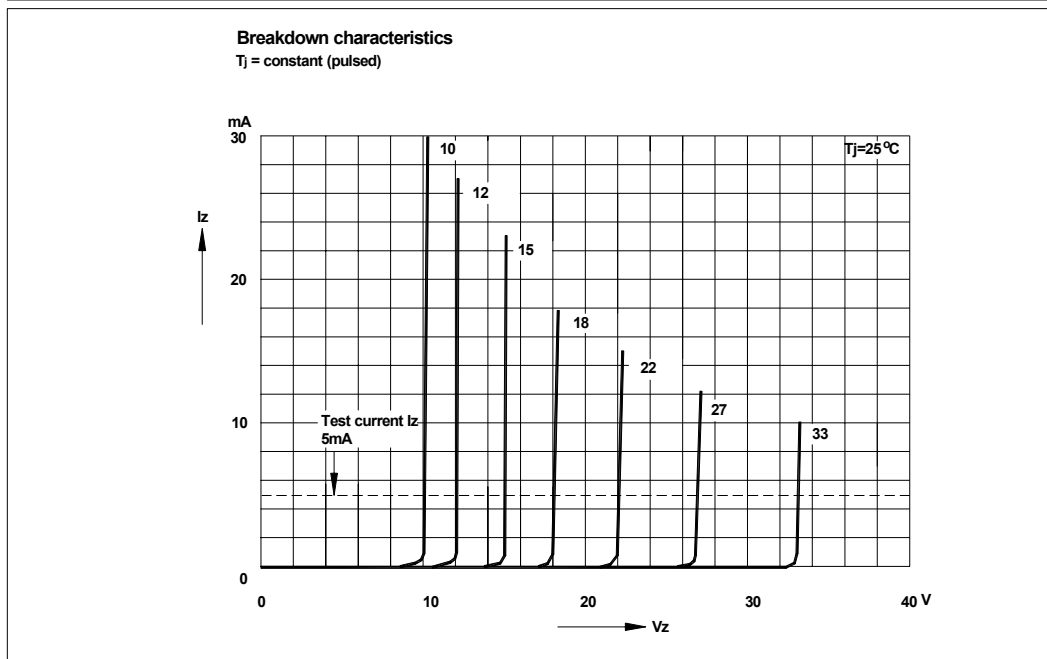
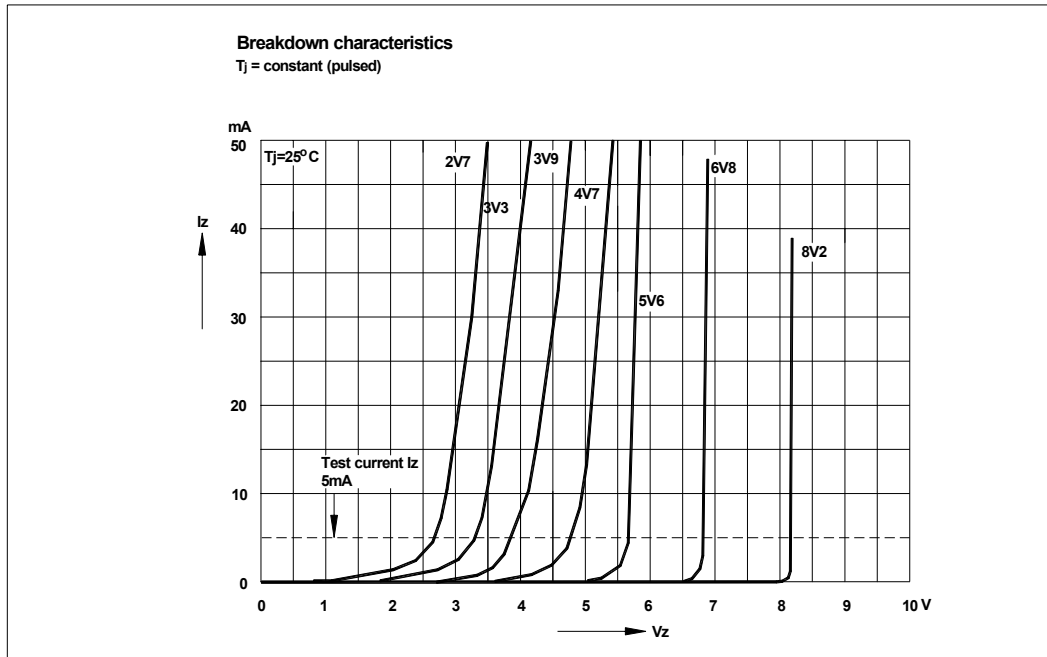
ISO 14001
Certificate No. 7116



ISO 9001 : 2000
Certificate No. 859-199-463-141

Dated : 19/07/2005

MM3Z2V0~MM3Z120



SEMTECH ELECTRONICS LTD.

(Subsidiary of Semtech International Holdings Limited, a company listed on the Hong Kong Stock Exchange, Stock Code: 724)



ISO/TS 16949 : 2002
 Certificate No. 05103



ISO 14001
 Certificate No. 7116



ISO 9001 : 2000
 Certificate No. 020-100-0102-001

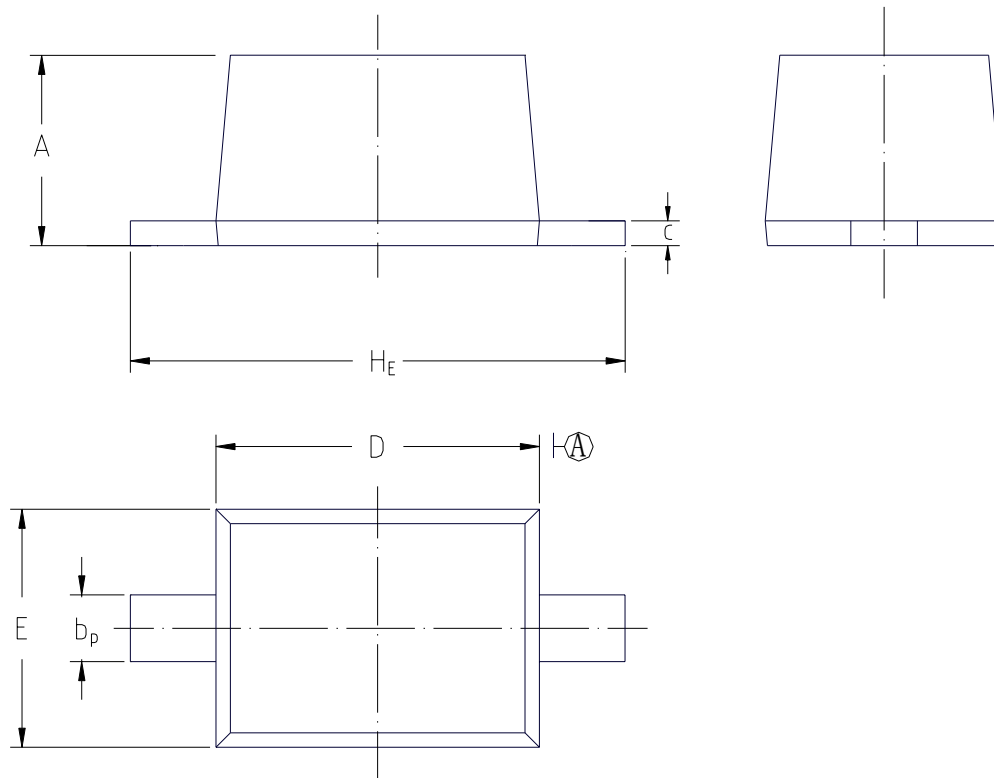
Dated : 19/07/2005

MM3Z2V0~MM3Z120

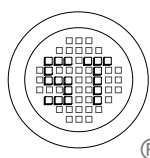
PACKAGE OUTLINE

Plastic surface mounted package; 2 leads

SOD-323

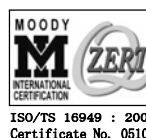


UNIT	A	b_p	c	D	E	H_E
mm	1.10 0.80	0.40 0.25	0.15 0.00	1.80 1.60	1.35 1.15	2.80 2.30



SEMTECH ELECTRONICS LTD.

(Subsidiary of Semtech International Holdings Limited, a company listed on the Hong Kong Stock Exchange, Stock Code: 724)



ISO/TS 16949 : 2002
Certificate No. 05103



ISO 14001
Certificate No. 7116



ISO 9001 : 2000
Certificate No. 020#-100#-020#-020#

Dated : 19/07/2005