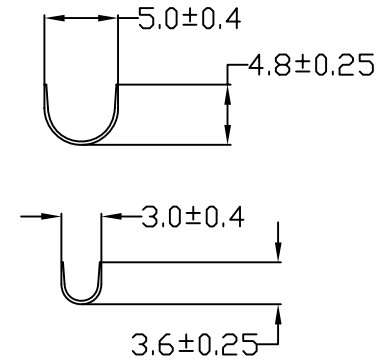
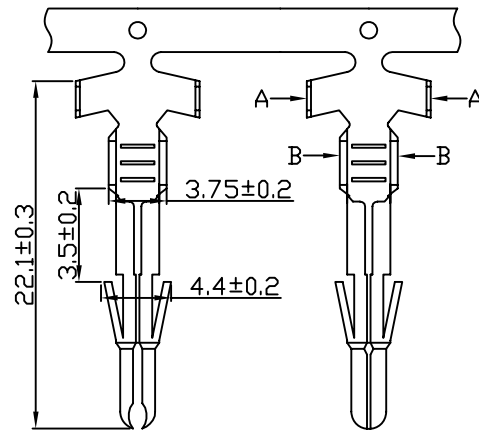
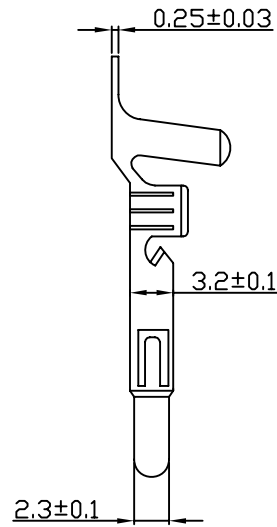


Rev	Revisions	Rev.Drawn	Date
A			22.05.09

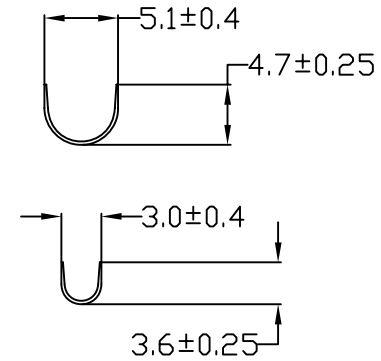
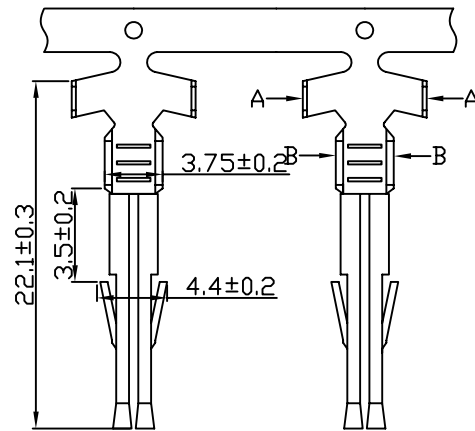
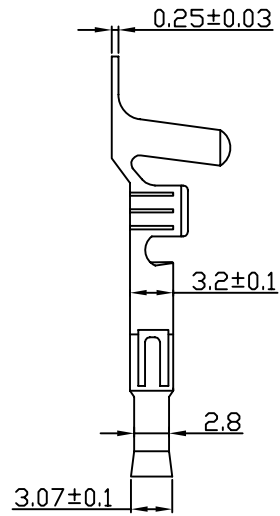
TERMINAL:WW236-MT
 Material:BRASS.SH
 Wire range: AWG16~20#
 Quantit Per Reel:4000pcs



SGS Report No.:	Customer:	Part No.: WW236-MT
Title: MOLEX 2.36 Male Terminal		
Drawn By: Storm.Li	SCALE: 1:1	SHEET: 1/1
Checked By: Simmon	REV: A	DWG NO.: SST-20090522-01
Approved By: Tony	Thire angle Projection	General Dimension Tolerance
		TOLERANCE: \varnothing Units mm

Rev	Revisions	Rev.Drawn	Date
A			22.05.09

TERMINAL:WW236-FT
 Material:BRASS.SH
 Wire range: AWG16~20#
 Quantit Per Reel:4000pcs



SGS Report No.:	Customer:	Part No.: WW236-FT
Title: MOLEX 2.36 Female Terminal		
Drawn By: Storm.Li	SCALE: 1:1	SHEET: 1/1
Checked By: Simmon	REV: A	DWG NO.: SST-20090522-02
Approved By: Tony	Thire angle Projection	General Dimension Tolerance
		TOLERANCE: Units mm