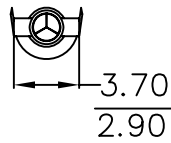
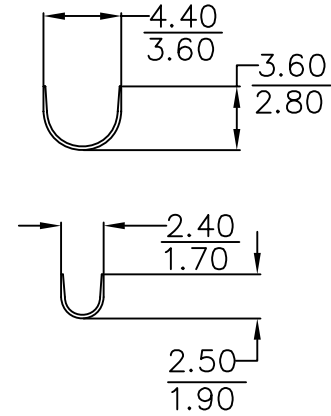
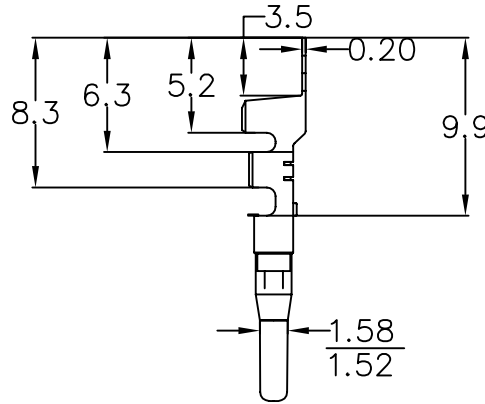
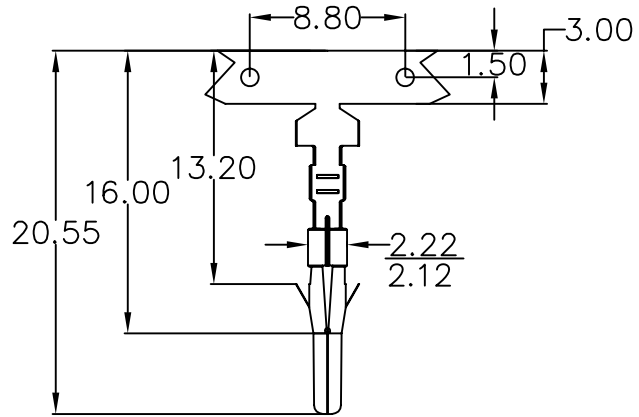
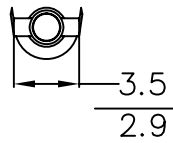
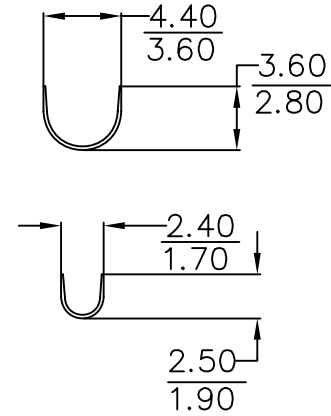
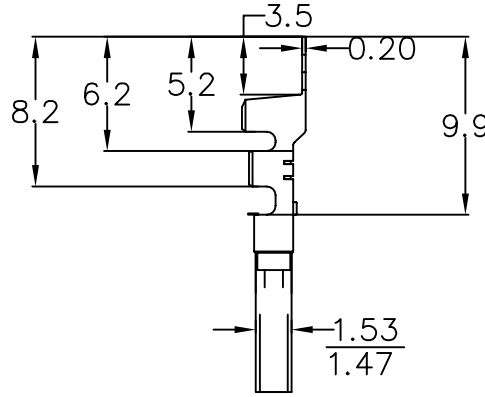
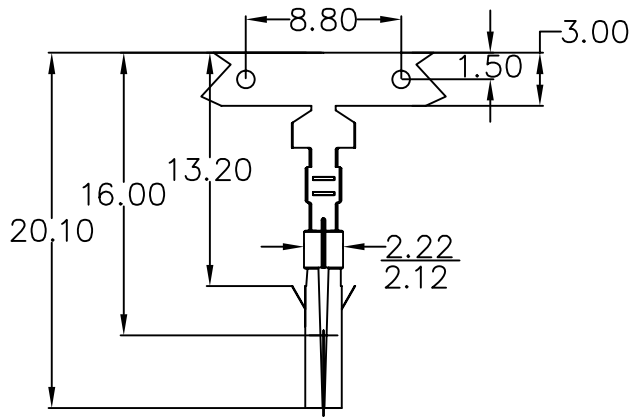


Rev	Revisions	Rev.Drawn	Date
A			20.Feb.09



SGS Report No.:	Customer:	Part No.: WW158-MT			
Title:					
Drawn By: Storm.Li	SCALE	SHEET	REV.	DWG NO.:	TOLERANCE:
Checked By: May	/	1/1	A	SST090220-01	
Approved By: Tony	Third angle Projection		General Dimension Tolerance		Units mm

Rev	Revisions	Rev.Drawn	Date
A			20.Feb.09



SGS Report No.:	Customer:	Part No.: WW158-FT			
Title:					
Drawn By: Storm.Li	SCALE	SHEET	REV.	DWG NO.:	TOLERANCE:
Checked By: May	/	1/1	A	SST090220-02	
Approved By: Tony	Third angle Projection		General Dimension Tolerance		Units mm