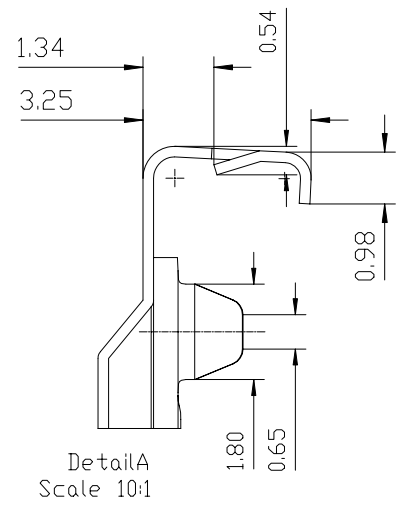
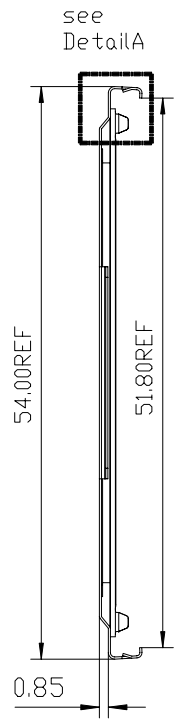
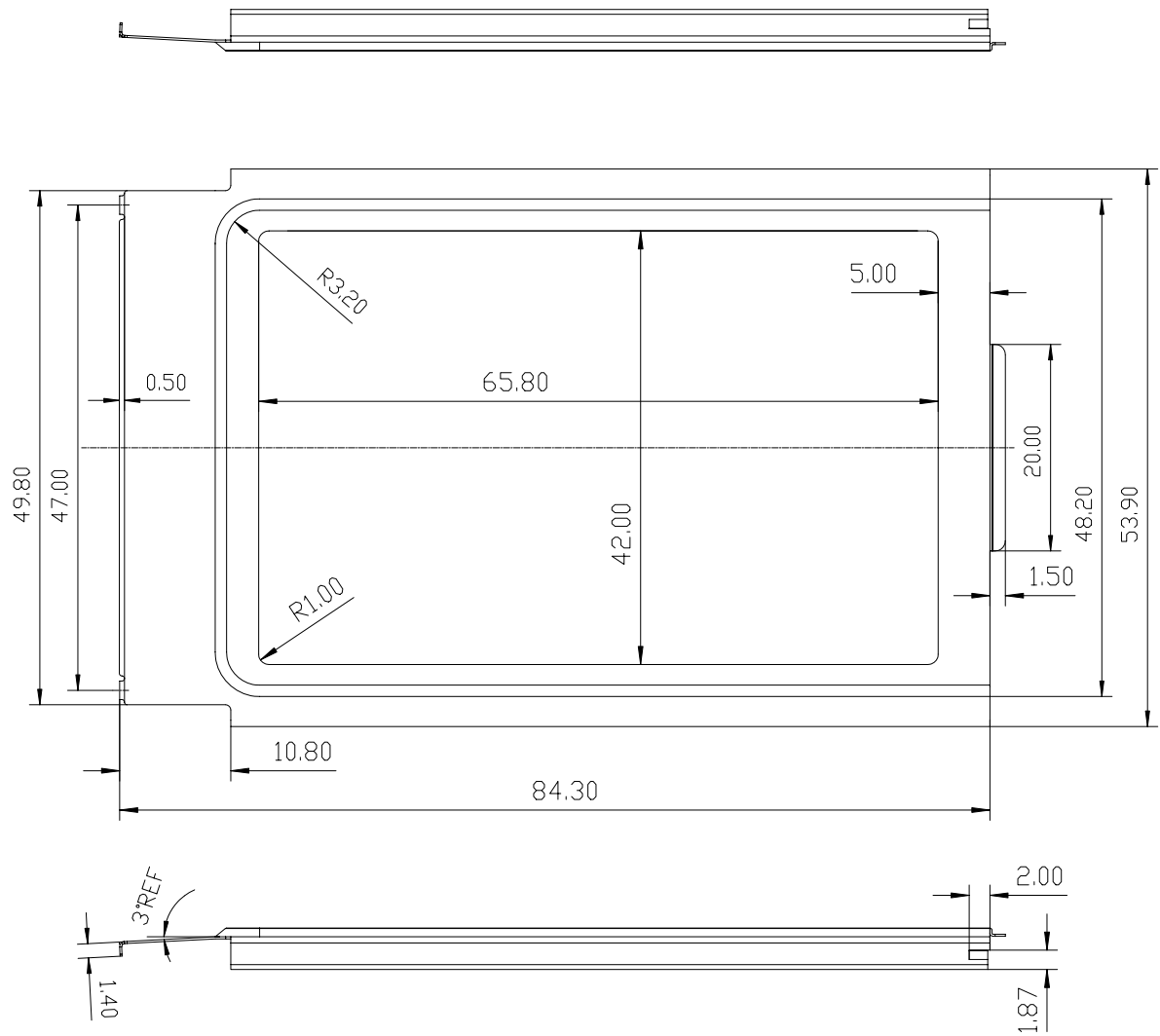


10 9 8 7 6 5 4 3 2 1

F
E
D
C
B
A



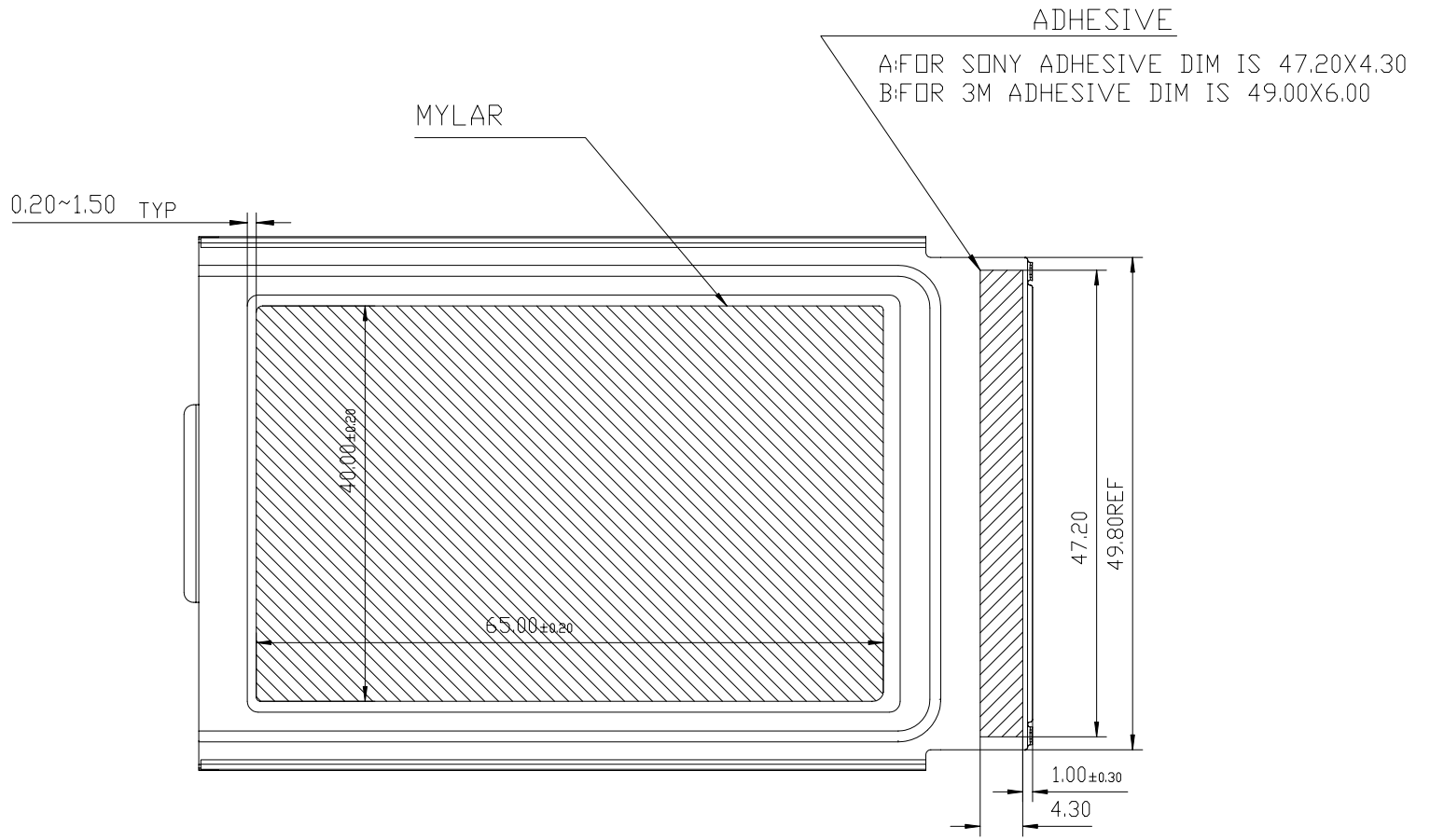
NOTES:
 1 .MATERIAL:SUS304 0.20mm THICKNESS
 2 .INSULATION MYLAR MATERIAL:DUPONT INSULATION MYLAR
 3 .ADHESIVE MATERIAL:SONY NP605 HEAT-SENSITIVE ADHESIVE
 OR 3M 7953MP ADHESIVE

D	REV	DESCRIPTION	SYMBOLS QUALITY		GENERAL TOLERANCES (UNLESS SPECIFIED)		SCALE 1:1	DESIGN UNITS METRIC	TITLE PCMCIA TYPE II FOR WIRELESS LAN CARD COVER	
			MAJOR	CRITICAL	mm	INCH	DIMENSION STYLE MM ONLY			
			☒ = 0	▨ = 0	4 PLACES ± --- ± ---	3 PLACES ± --- ± ---	THIRD ANGLE PROJECTION		REVISE ON CAD ONLY	
			2 PLACES ± 0.20 ± ---	1 PLACE ± 0.20 ± ---	ANGULAR ± ∠					
							PART NO. SEE TABLE		SHEET NO. 1 OF 2	

10 9 8 7 6 5 4 3 2 1

10 9 8 7 6 5 4 3 2 1

F
E
D
C
B
A



P/N	ADHESIVE
WL901-31TC	SONY ADHESIVE
WL901-32TC	3M ADHESIVE

D	REV	DESCRIPTION	SYMBOLS QUALITY		GENERAL TOLERANCES (UNLESS SPECIFIED)	SCALE 1:1	DESIGN UNITS METRIC	TITLE
			MAJOR	CRITICAL				
			☒ = 0	▨ = 0	4 PLACES ± --- ± ---			THIRD ANGLE PROJECTION
					3 PLACES ± --- ± ---			REVISE ON CAD ONLY
					2 PLACES ± 0.20 ± ---			
					1 PLACE ± 0.20 ± ---			
					ANGULAR ± ∠			
							PART NO. SEE TABLE	SHEET NO. 2 OF 2

10 9 8 7 6 5 4 3 2 1