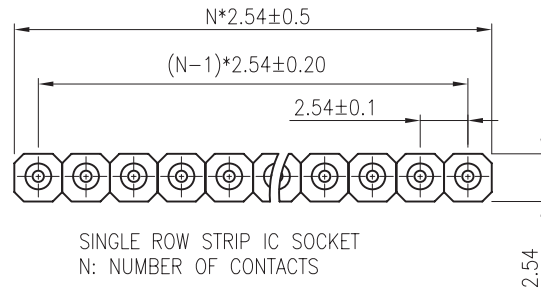
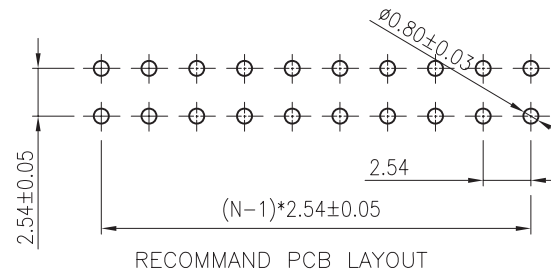
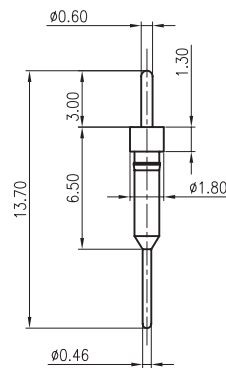
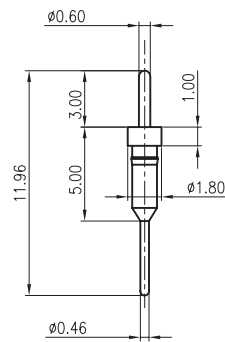
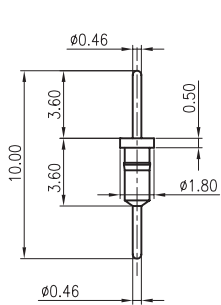
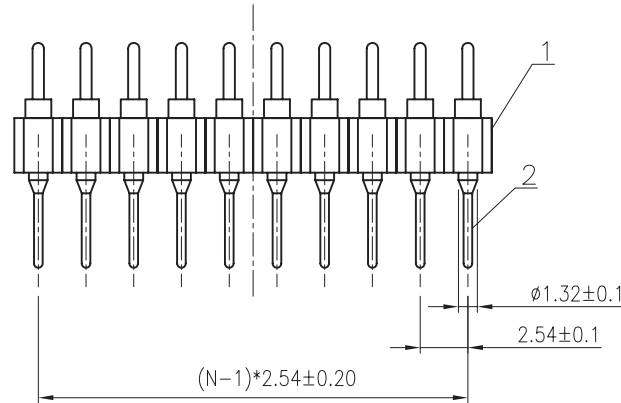
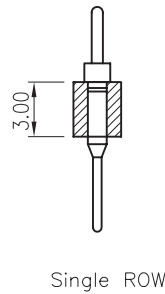
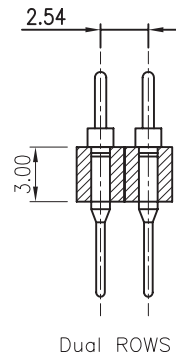


REV.	DESCRIPTION	DRAWN	CHECKED	APPROVED
A	NEW RELEASE	LJH 03/30/06'		



NOTES:

1. ELECTRICAL CHARACTERISTICS:
 - 1.1 CONTACT RESISTANCE: 20mΩ Max. INITIAL.
 - 1.2 DIELECTRIC WITHSTANDING VOLTAGE: 500V AC(rms) FOR 1 MINUTE.
 - 1.3 INSULATION RESISTANCE: 1000MΩ Min.
2. ENVIRONMENT CHARACTERISTICS:
 - 2.1 OPERATING TEMPERATURE: 0°C~+85°C.
 - 2.2 STORAGE TEMPERATURE: -20°C~+70°C.
3. PART NUMBER: DS1004
4. PRODUCT NUMBER CODE:



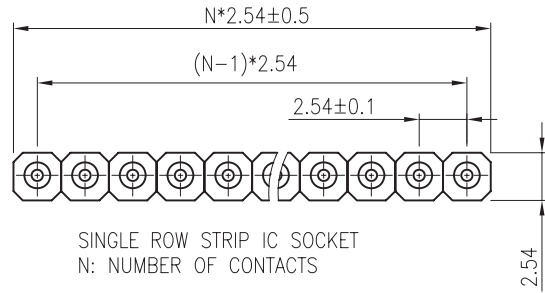
TYPE1/2/3 DIA.(TOLERANCE=±0.05)

GENERAL TOLERANCE		ANGLE TOLERANCE	
X.	±0.60	X.	±5°
.X	±0.38	.X	±3°
.XX	±0.25	.XX	±2°

PROJECTION		TITLE
UNITS	mm	DIP STRIP ADAPTER PITCH 2.54mm
SHEET SIZE	A4	SERIES

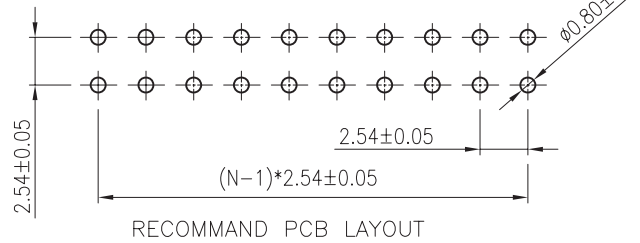
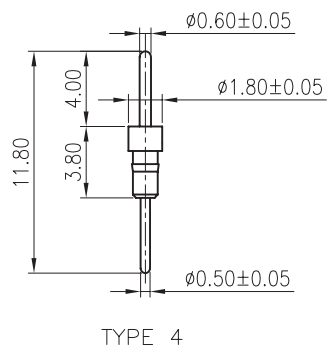
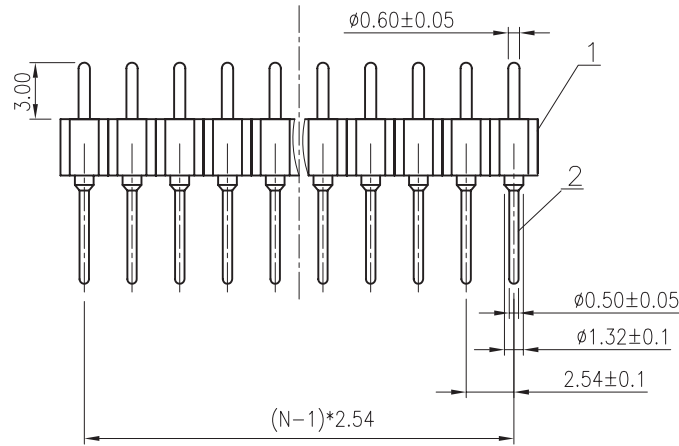
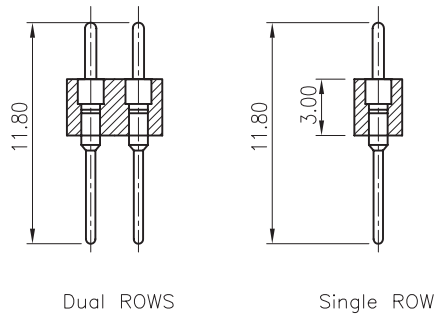
2	CONTACT		COPPER ALLOY	GOLD FLASH	DRAWING TYPE	CUSTOMER		
1	HOUSING		THERMOPLASTIC	UL 94 V-0	SCALE	1:1	SHEET	10F1
ITEM	PART NAME	PART NO.	MATERILAS	FINISHED	DRAWING NO.	C-DS1004-XXX		

REV.	DESCRIPTION	DRAWN	CHECKED	APPROVED
A	NEW RELEASE	LJH 03/30/06'		



NOTES:

1. ELECTRICAL CHARACTERISTICS:
 - 1.1 CONTACT RESISTANCE: 20mΩ Max. INITIAL.
 - 1.2 DIELECTRIC WITHSTANDING VOLTAGE: 500V AC(rms) FOR 1 MINUTE.
 - 1.3 INSULATION RESISTANCE: 1000MΩ Min.
2. ENVIRONMENT CHARACTERISTICS:
 - 2.1 OPERATING TEMPERATURE: 0°C~+85°C.
 - 2.2 STORAGE TEMPERATURE: -20°C~+70°C.
3. PART NUMBER: DS1004
4. PRODUCT NUMBER CODE:



GENERAL TOLERANCE		ANGLE TOLERANCE		PROJECTION		TITLE	DIP STRIP ADAPTER PITCH 2.54mm	
X.	±0.60	X.	±5°	UNITS	mm			
.X	±0.38	.X	±3°	SHEET SIZE	A4	SERIES		
.XX	±0.25	.XX	±2°					
2	CONTACT		COPPER ALLOY					
1	HOUSING		THERMOPLASTIC					
ITEM	PART NAME	PART NO.	MATERILAS	FINISHED	DRAWING NO.	C-DS1004-XX4		

H

H