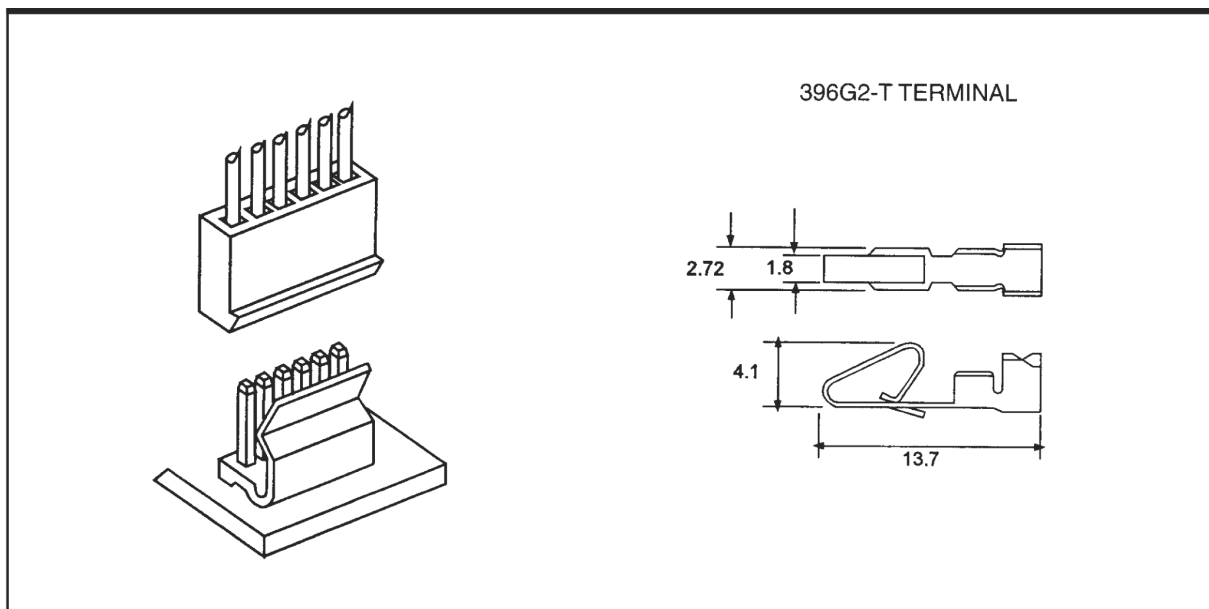


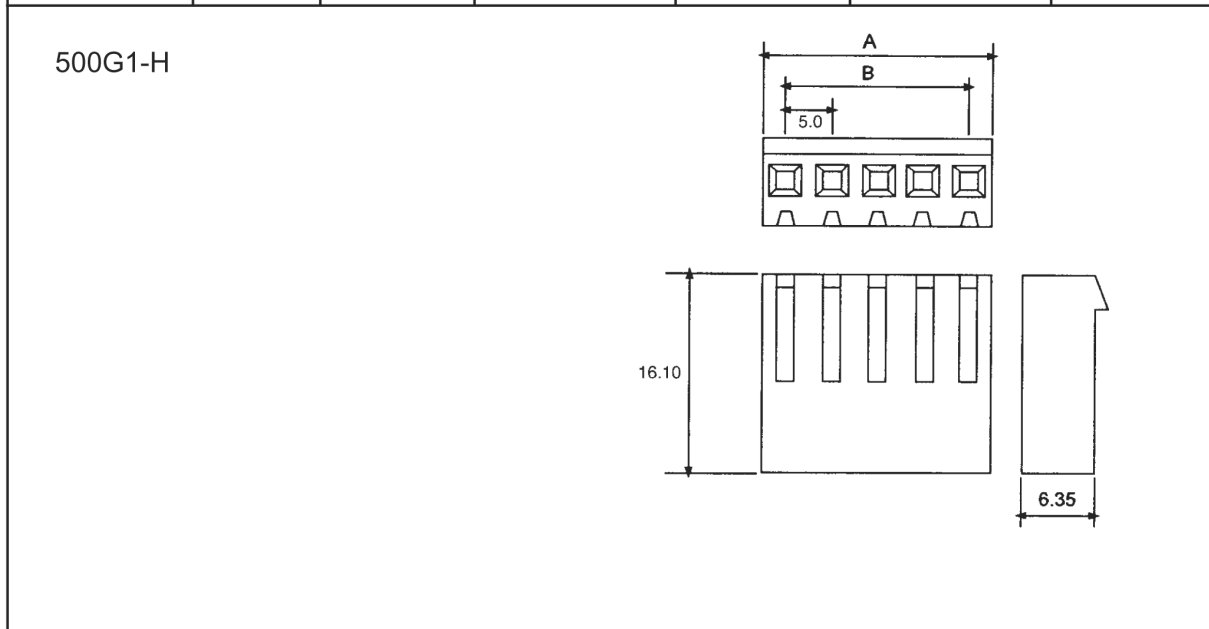
**508G1-H**

**АНАЛОГ:**

**MHU-xx**



PART NO.	WIRE RANGE		MATERIAL/	THICKNESS	INSULATION	REEL
	AWG#	mm <sup>2</sup>	FINISH	mm	O.D.(mm)	PCS
396G2-T	18-24	0.83-0.22	BRASS/TIN	0.25	3.0-1.5	7000



POLES	PART NO.	DIMENSIONS (mm)		POLES	PART NO.	DIMENSIONS (mm)	
		A	B			A	B
2	500G1-H02	10.00	5.00	7	500G1-H07	35.00	30.00
3	500G1-H03	15.00	10.00	8	500G1-H08	40.00	35.00
4	500G1-H04	20.00	15.00	9	500G1-H09	45.00	40.00
5	500G1-H05	25.00	20.00	10	500G1-H10	50.00	45.00
6	500G1-H06	30.00	25.00				