

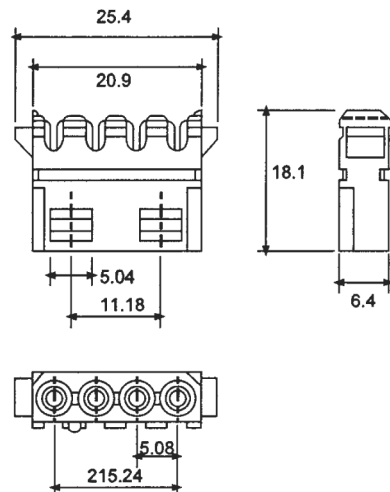
Разъем низковольтного питания, шаг 5,08 мм IDC

SPS2-IDC

АНАЛОГ:

PART NO	COLOR	WIRE TYPE	COVER TYPE
SPS2-IDCA	NATURAL	18AWG STRANDED. 20 AWG SOLID AND FUSED	FEED THRU
			FEED TO
SPS2-IDCB	YELLOW	22AWG STRANDED. 20 AWG SOLID AND FUSED	FEED THRU
			FEED TO

SPS2-IDC SERIES



SPS2-IDC COVER SERIES

PART NO	COVER TYPE
SPS2-C1	FEED TO
SPS2-C2	FEED THRU

