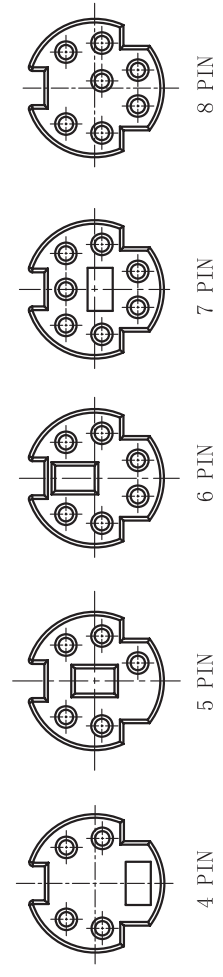
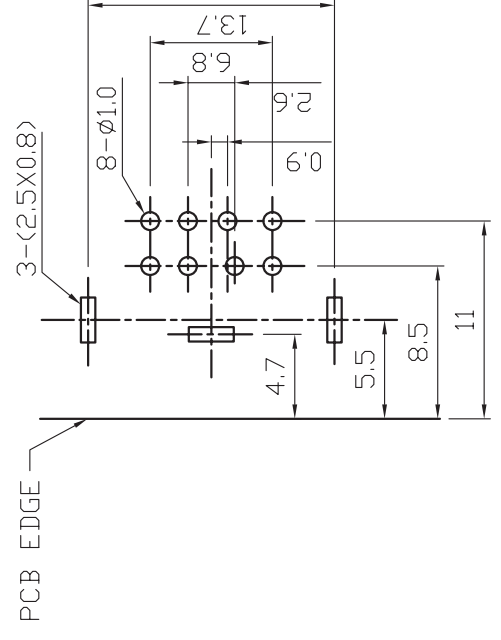
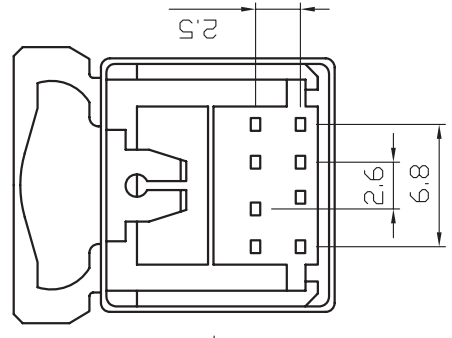
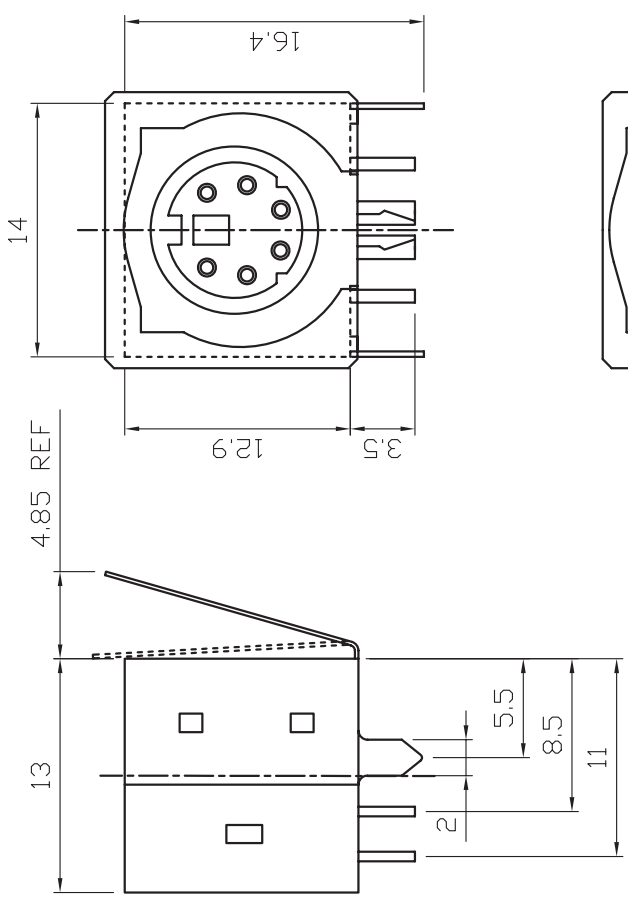


REV. A	DESCRIPTION NEW RELEASE	DRAWN HP 06/10/05'	CHECKED	APPROVED

NOTES:

- SPECIFICATIONS:
 - VOLTAGE RATING: 30V DC.
 - CONTACT CURRENT RATING: 1A MAX. PER PIN.
 - CONTACT RESISTANCE: 30 MILLIOHMS MAX.
 - DIELECTRIC WITHSTANDING VOLTAGE: 500V AC(rms) FOR 1 MINUTE.
 - INSULATION RESISTANCE: 1000 MEGAOHMS MIN.
 - OPERATING TEMPERATURE: -20°C~+80°C.

MDNxxFRSB SERIES
 MDN-04FRSB
 MDN-05FRSB
 MDN-06FRSB
 MDN-07FRSB
 MDN-08FRSB



GENERAL TOLERANCE	ANGLE TOLERANCE	PROJECTION	TITLE
X. ±0.60	X. ±5°	mm	MINI DIN 824 TYPE
X. ±0.38	X. ±3°	A4	MDNxxFRSB SERIES
.XX ±0.25	.XX ±2°		
DRAWING TYPE	CUSTOMER		
SCALE	1:1	SHEET	1 OF 1
DRAWING NO.	C-DS1093-02-XXXX		

RECOMMEND PCB LAYOUT(TOLERANCE=±0.05)