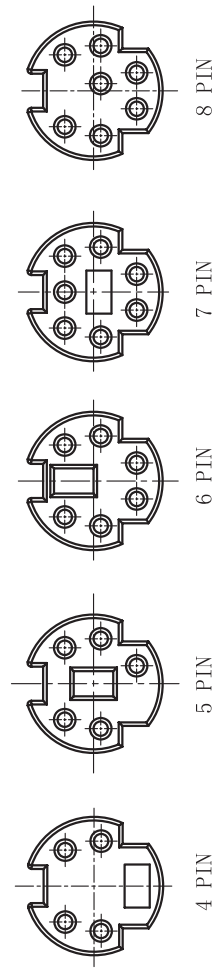
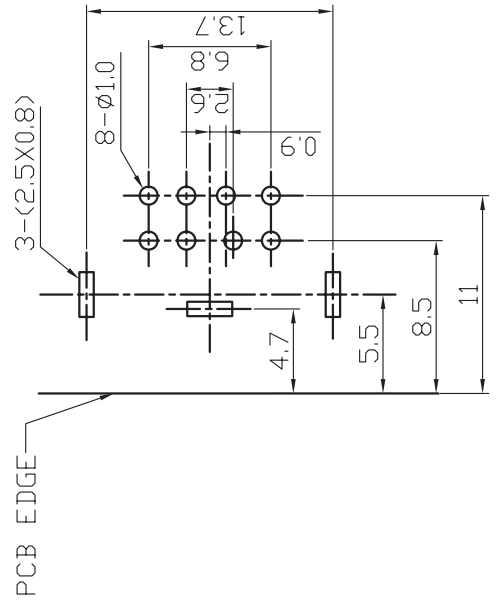
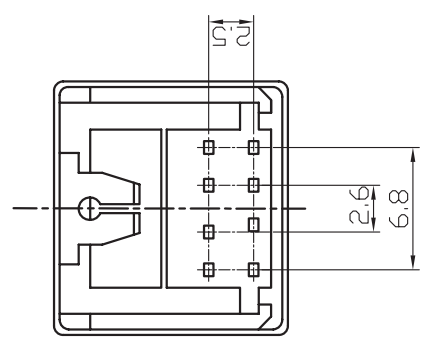
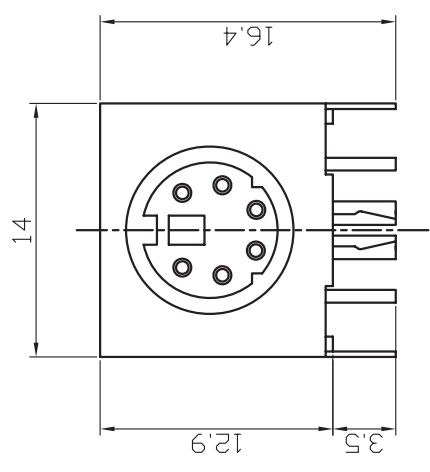


REV.	DESCRIPTION	DRAWN	CHECKED	APPROVED
A	NEW RELEASE	HP 06/10/05'		

NOTES:

- SPECIFICATIONS:
  - VOLTAGE RATING: 30V DC.
  - CONTACT CURRENT RATING: 1A MAX. PER PIN.
  - CONTACT RESISTANCE: 30 MILLIOHMS MAX.
  - DIELECTRIC WITHSTANDING VOLTAGE: 500V AC(rms) FOR 1 MINUTE.
  - INSULATION RESISTANCE: 1000 MEGAOHMS MIN.
  - OPERATING TEMPERATURE: -20°C~+80°C.

MDN-4FRS  
 MDN-5FRS  
 MDN-6FRS  
 MDN-7FRS  
 MDN-8FRS



GENERAL TOLERANCE	ANGLE TOLERANCE	PROJECTION	TITLE
X. ±0.60	X. ±5°	mm	
.X. ±0.38	.X. ±3°	A4	MINI DIN 803 TYPE
.XX ±0.25	.XX ±2°		MDN-xFRS SERIES

DRAWING TYPE	CUSTOMER
SCALE	1:1 SHEET 1 OF 1
DRAWING NO.	C-DS1093-01-XXXXX

RECOMMEND PCB LAYOUT(TOLERANCE=±0.05)