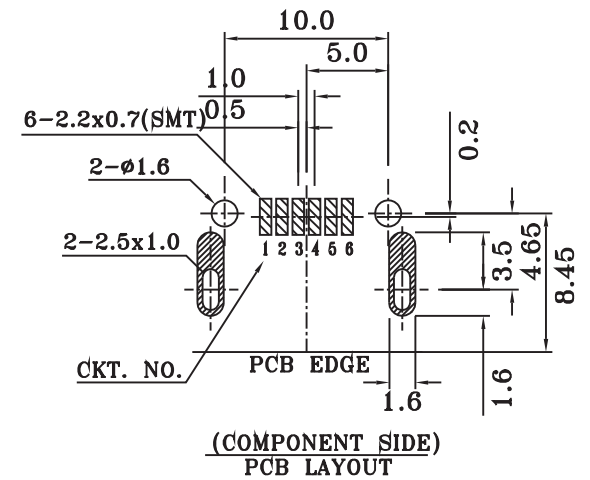
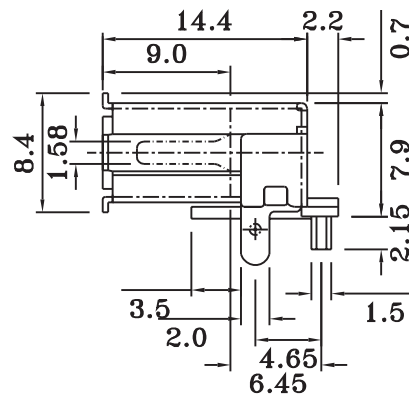
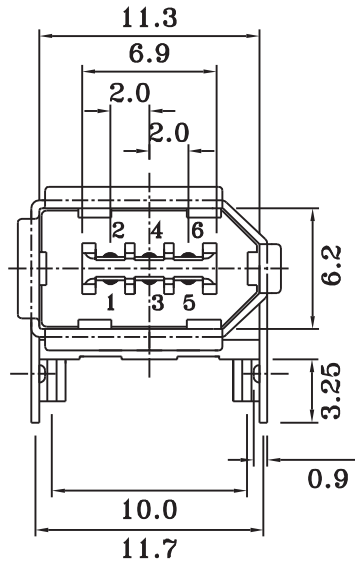
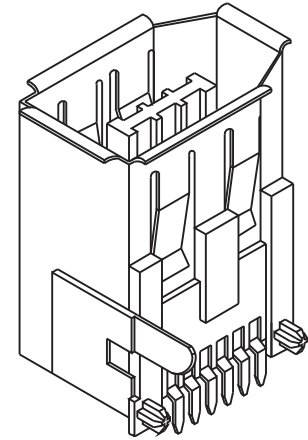
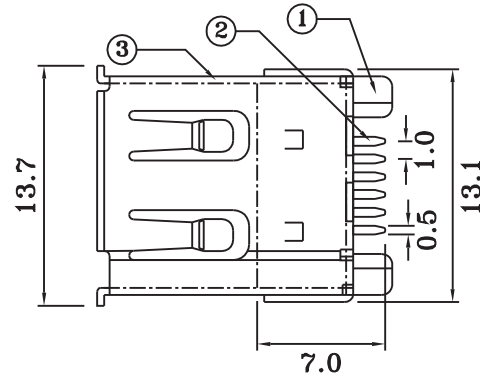


IEEE 1394 SERIES SMT TYPE



NO.	NAME	MATERIAL	FINISH	REMARK	Q'TY
1	HOUSING	NYLON PA9T G.F.	BLACK		1
2	PIN TERMINAL	BRASS; t:0.2	GOLD/TIN PLATED	GOLD:30~35u" NI:1.5~2.5u SN-PB:3~5u	6
3	SHELL	BRASS; t:0.4	NICKEL PLATED		1