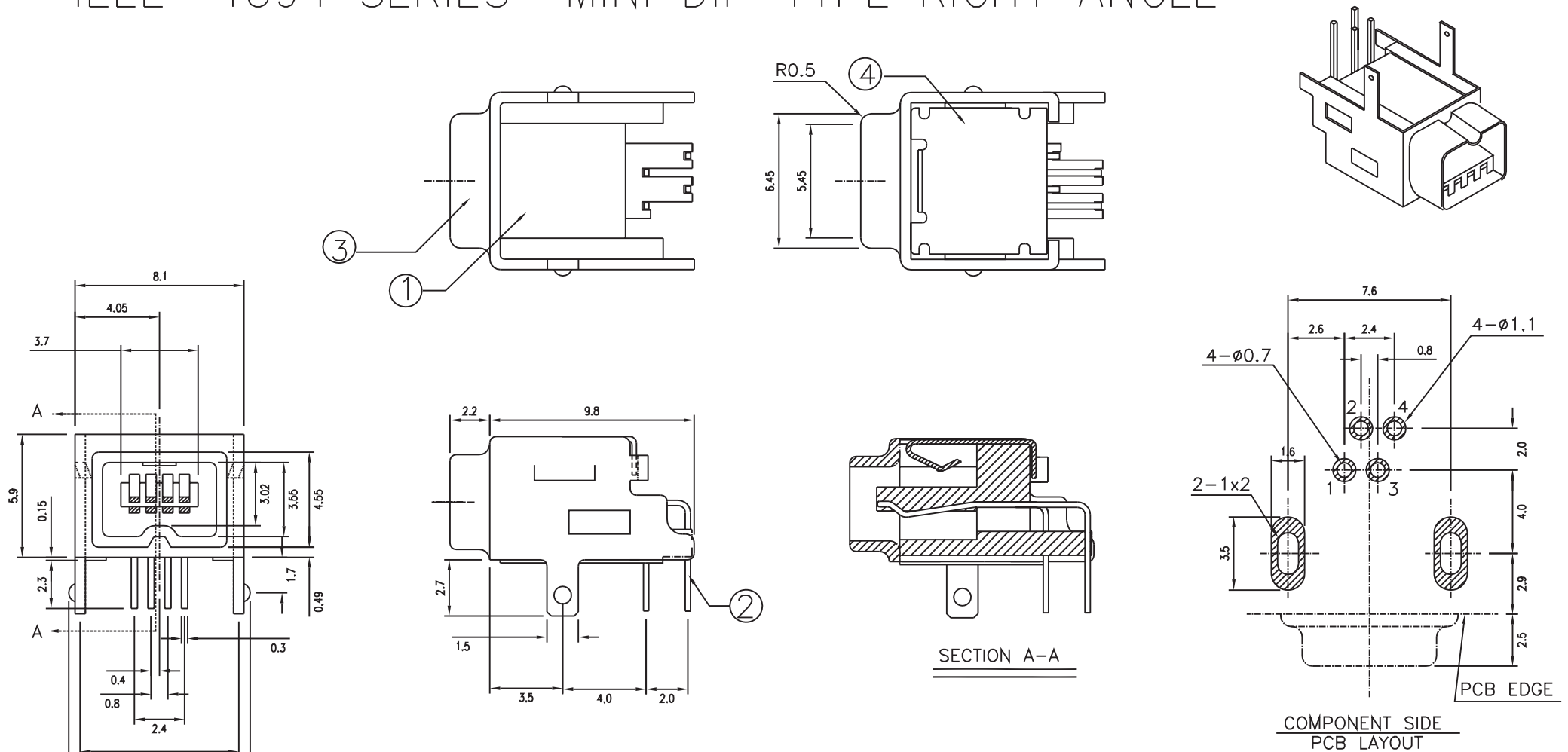


IEEE 1394 SERIES MINI DIP TYPE RIGHT ANGLE



Radiotech-Trade
<http://www.rct.ru>

NO.	NAME	MATERIAL	FINISH	REMARK	Q'TY
1	HOUSING	NYLON PA9T G.F.	BLACK		1
2	PIN TERM.	PHOS.BRONZE t:0.25mm	GOLD-TIN PLATED	Ni:1~1.5u;TIN:3u GOLD:30u"	4
3	FRONT SHELL	STEEL t:0.5mm	TIN PLATED	TIN:3~5u	1
4	REAR SHELL	BRASS t:0.2mm	NICKEL PLATED	Ni:2~3u	1