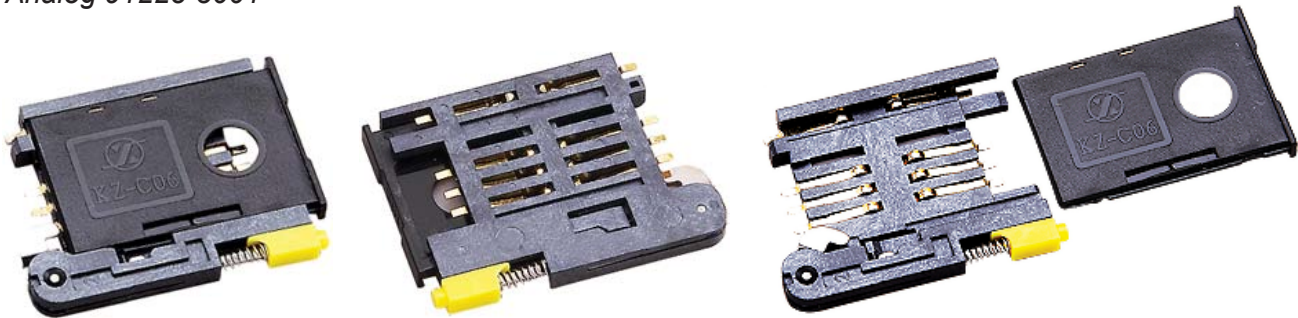


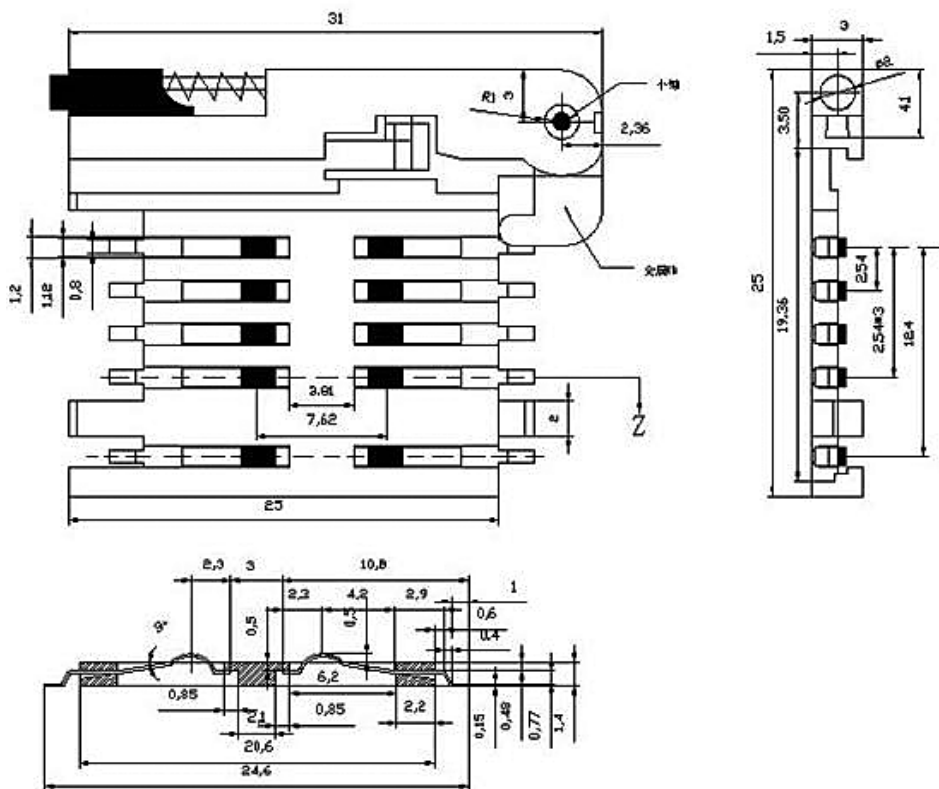
SIM-014-6P/SIM-014-8P

Analog 91228-3001



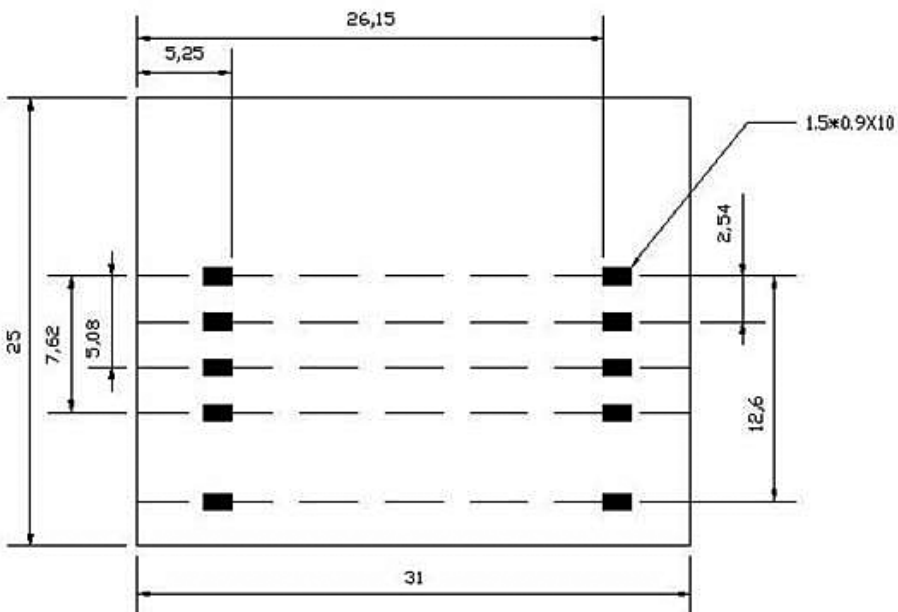
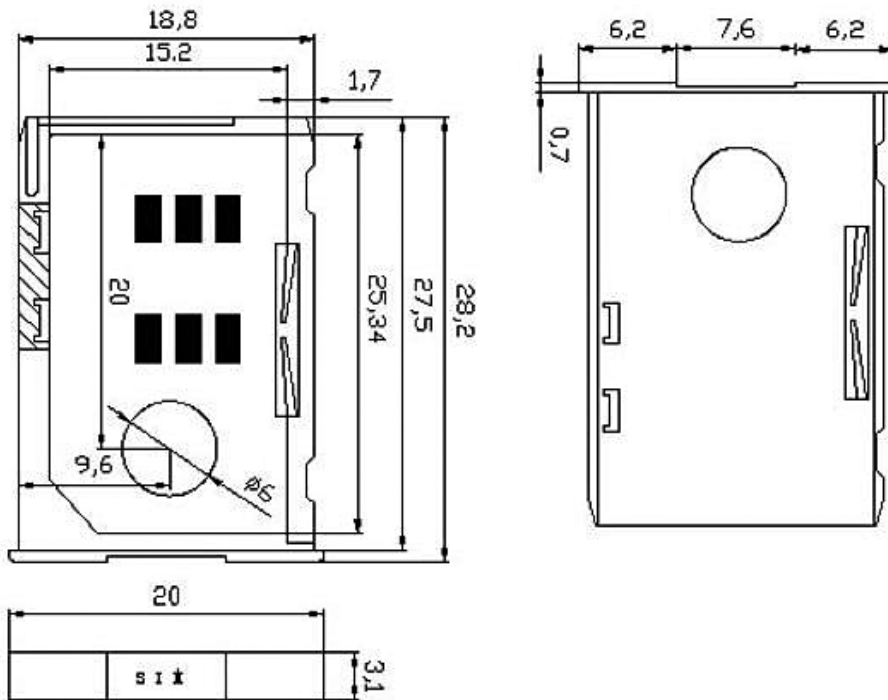
Specification

Pitch	2.54mm
Contacts	6, 8
Voltage rating	100V AC
Current rating	0.5A Max
Withstand voltage	200V AC/1 minute
Insulation resistance	≥1000MΩ
Contact resistance	≤30mΩ
Life	>5000 cycles
Housing	LCP UL94V-0
Card button	LCP UL94V-0
Reed tab	Tin-bronze QSn6.5-0.1 GB2066-89
Environmental temperature	-45 — +85
Package	Tape and Reel



SIM-014-6P/SIM-014-8P

Analog 91228-3001



RADIOTECH-TRADE

Tel.: (495) 795-08-05
E-mail: info@rct.ru
Web: <http://www.rct.ru>