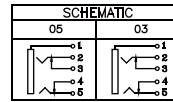
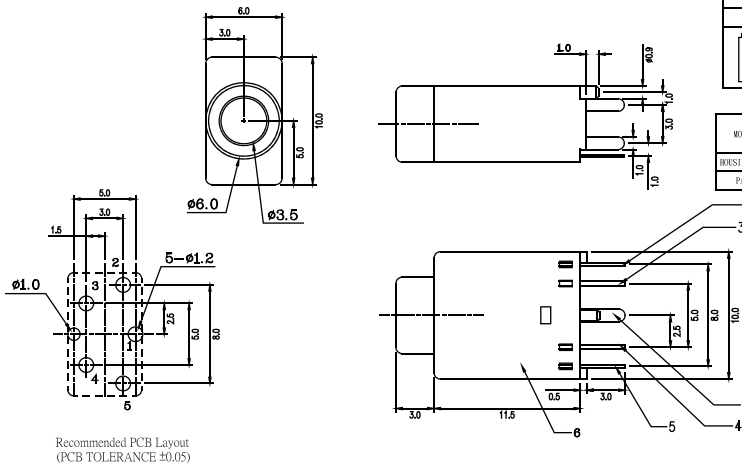


Ø3.5 Earphone Jack Conn.



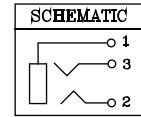
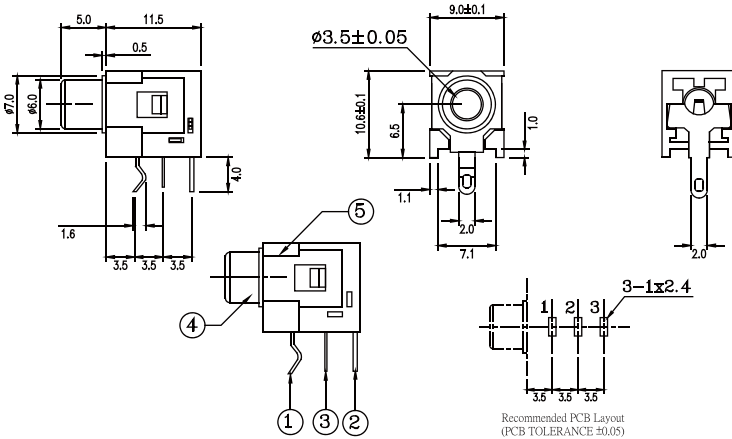
Table

MODEL NO.	EPJ35-0015P	EPJ35-0015P-05X-L (COLOR)				
HOUSING COLOR	BLACK	PINK	LIGHT BLUE	LINE	YELLOW	ORANGE
PANTONE	701C	284C	577C	123C	157C	



NO.	NAME	MATERIAL	FINISH	Q'TY
1	EARTH TERMINAL	PBS t=0.3	TIN PLATED	1
2	TIP SPRING	PBS t=0.25	TIN PLATED	1
3	RING SHUNT	BRASS t=0.3	TIN PLATED	1
4	RING SHUNT	BRASS t=0.3	TIN PLATED	1
5	TIP SPRING	PBS t=0.25	TIN PLATED	1
6	HOUSING	PBT+FIBRE		1

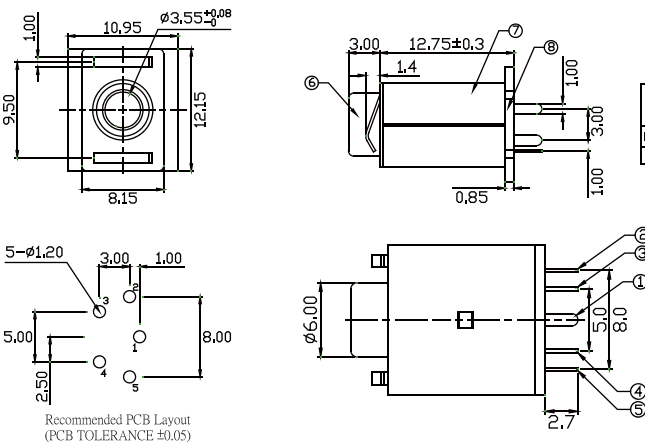
Part No.: EPJ35-0015P-□□□ T□-L
 No. of Contacts(03,05) □□□
 See Table □□□



NO.	NAME	MATERIAL	FINISH	Q'TY
1	GROUND TERM	C.R.S. 0.4THK	TIN PLATED	1
2	RING TERM	BRASS 0.5THK	TIN PLATED	1
3	TIP TERM	PHOS. BRONZE 0.25THK	TIN PLATED	1
4	BUSHING	BRASS	NICKEL PLATED	1
5	HOUSING	PBT	BLACK	1

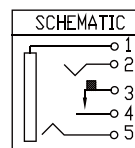


Part No.: EPJ35-2017A-03TB-L



Table

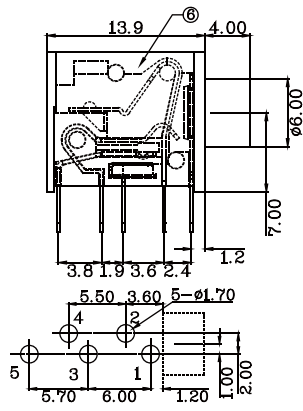
MODEL NO.	EPJ35-2506SP-05X-L (COLOR)					
HOUSING COLOR	PINK	BLACK	LINE	YELLOW	ORANGE	LIGHT BLUE
PANTONE	701C		577C	123C	157C	284C



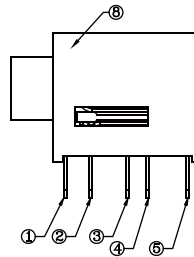
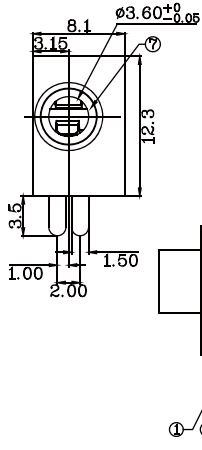
NO.	NAME	MATERIAL	FINISH	Q'TY
1	PIN1	PHOS. BRONZE T10.25	TIN PLATED	1
2	PIN2	PHOS. BRONZE T10.25	TIN PLATED	1
3	PIN3	BRASS T10.30	SILVER PLATED	1
4	PIN4	PHOS. BRONZE T10.30	SILVER PLATED	1
5	PIN5	PHOS. BRONZE T10.25	TIN PLATED	1
6	HOUSING	NYLON PA66	SEE COLOR	1
7	SHELL	STAINLESS T10.2		1
8	BOTTOM COVER	PBT GF.	LINE	1



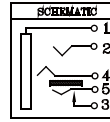
Part No.: EPJ35-2506SP-05T-L
 See Table □□□



Recommended PCB Layout
(PCB TOLERANCE ±0.05)



NO.	NAME	MATERIAL	FINISH	Q'TY
1	PIN1	BRASS t=0.3	TIN PLATED	1
2	PIN2	PHOSPHOR BRONZE t=0.30	TIN PLATED	1
3	PIN3	PHOSPHOR BRONZE t=0.28	TIN PLATED	1
4	PIN4	PHOSPHOR BRONZE t=0.30	TIN PLATED	1
5	PIN5	PHOSPHOR BRONZE t=0.30	TIN PLATED	1
6	COVER	FBT+FIBRE		1
7	BUSHING	BRASS	NICKEL PLATED	1
8	HOUSING	FBT+FIBRE		1



Table

NO.	EPJ35-2508P-05X-L	PANTONE
PK	PINK	701C
U	BLACK	
W	LIME	577C
Y	YELLOW	123C
OR	ORANGE	157C
LU	LIGHT BLUE	284C

Part No.: EPJ35-2508P-05□-L
See Table