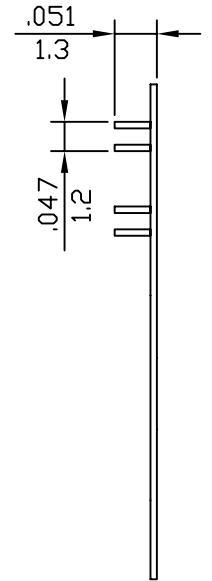
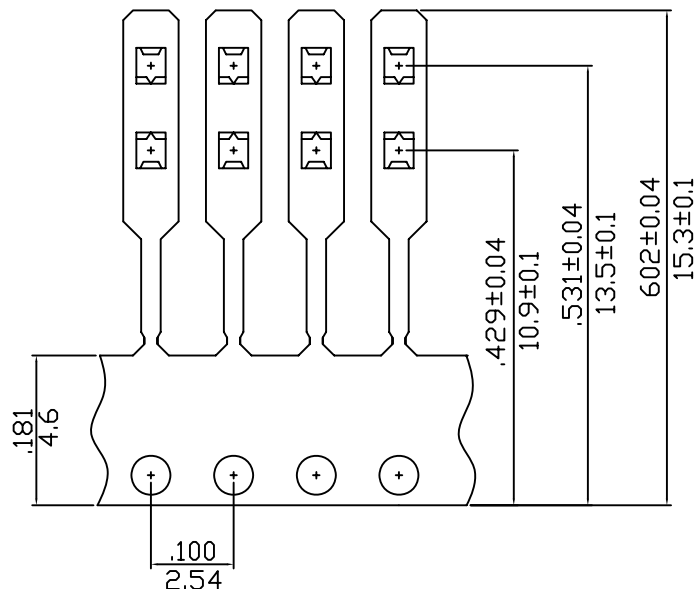
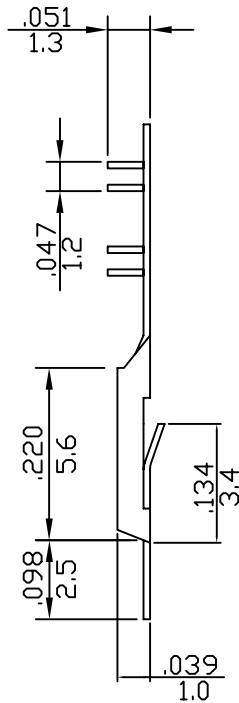
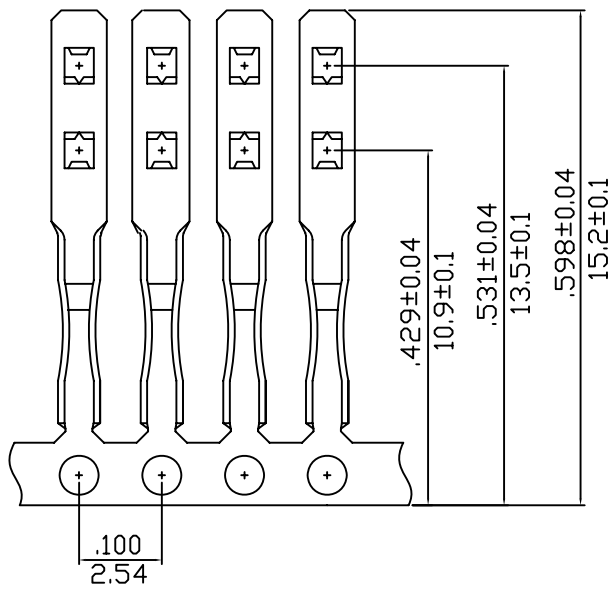


P/N: 254G4-FTP  
 Crimp Terminal Female  
 Mates 0.64mm square pin.  
 Material: Phosphor Bronze  
 Finished: Tin Plated  
 Reel Quantity: 30,000 pcs.  
 Tolerance:  $\pm 0.1$ mm

P/N: 254G4-MTP  
 Crimp Terminal Male  
 Built for flexible P.C.B.  
 Material: phosphor bronze  
 Finished: Tin Plated  
 Reel Q'ty: 30,000 pcs

inches  
mm



Rev	Description/Date	Drawn By: Storm.li	Customer:	Third angle projection		Units: mm
$\triangle$		Checked By: Simmon	Part No.: 254G4-TP	General Dimension Tolerance	X.X X.XX X.XXX	
$\triangle$		Approved By: Tony	Title: .100"(2.54mm) pitch FFC/FPC crimp terminal			
SGS Report No.:						