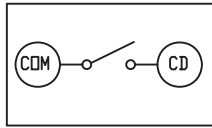
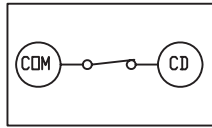


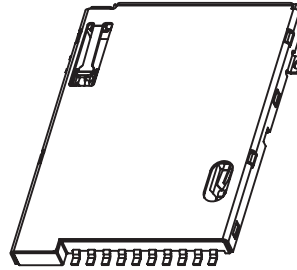
WITHOUT CARD



CARD INSERTED



CARD DETECT SW. STATUS.



NOTES:

- MATERIAL:
HOUSING: LCP+30% G.F., UL 94V-0 RATED, COLOR BLACK.
CONTACTS: COPPER ALLOY.
Shield Cover: SUS304, 0.2t.
- PLATING:
Contact Area: Hard gold plating over 1.27um(50u*)min., Nickel underplating.
Soldering Zone: 3.05um(120*)min. 100% Tin, over Nickel underplating.
Shield Cover: Gold flash over Nickel underplating.
Underplating: 1.27um (50u*)min. Nickel alloy.
- The dimensions marked with "■" are critical dimensions.
- DATE CODE MARKING:



115A-B D A 0-R01
1 2 3 4 5

1.Type
B:8 Pin

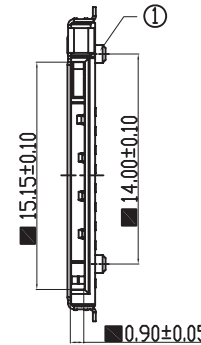
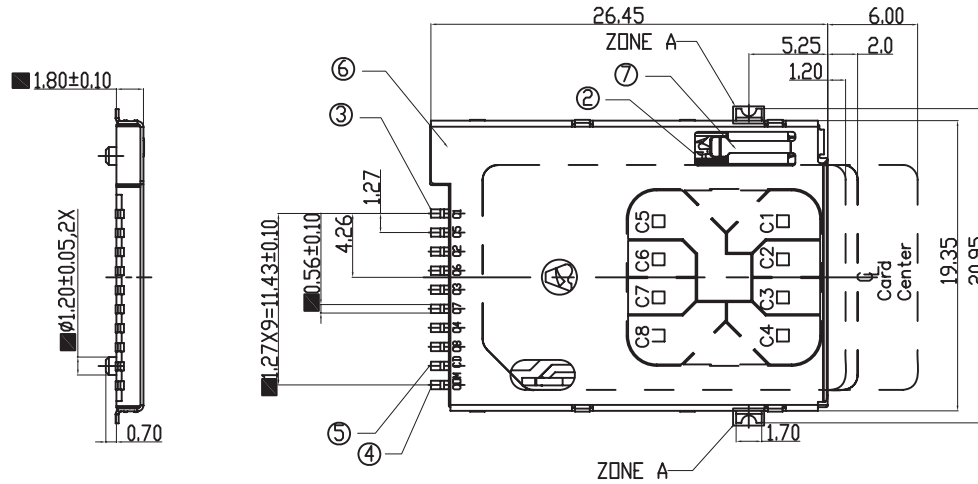
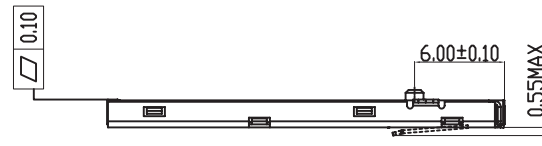
2.Contact Plating
D:10u"Gold Plating

3.Stand Off
A:0mm

4.Peg Type
0:w/Peg
5.RoHS

PARTS LIST I

ITEM	DESCRIPTION	QTY(PC'S)
1	HOUSING	1
2	SLIDER	1
3	MAIN CONTACT	1
4	COM CONTACT	1
5	CD CONTACT	1
6	METAL COVER	1
7	CRANK	1
8	SPRING	1



UNLESS OTHERWISE SPECIFIED TOLERANCE

ANG.	±5
0.	±0.3
.0	±0.25
.00	±0.20

SCALE: AS SHOWN UNIT: mm

DRAWN 2008/8/7

CHECKED / /

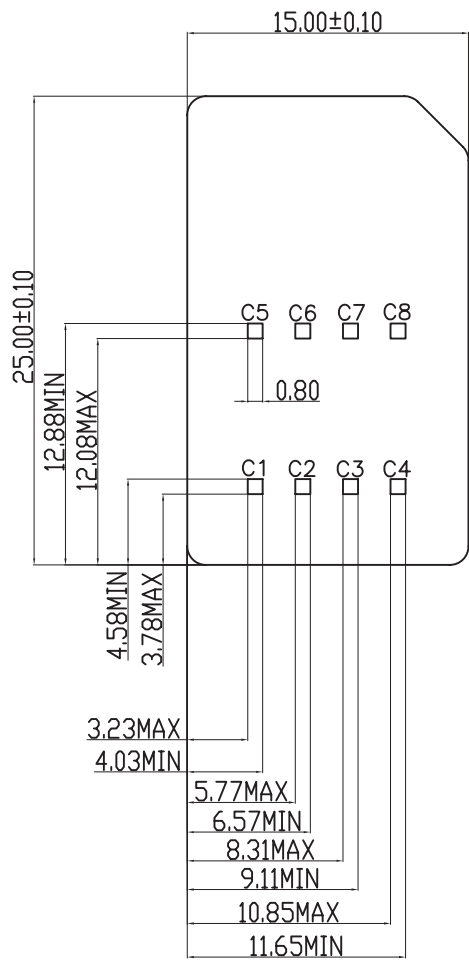
APPROVED / /

DRAWN NAME:
SIM Card Socket
Push-Push Type, 8+2 Pin

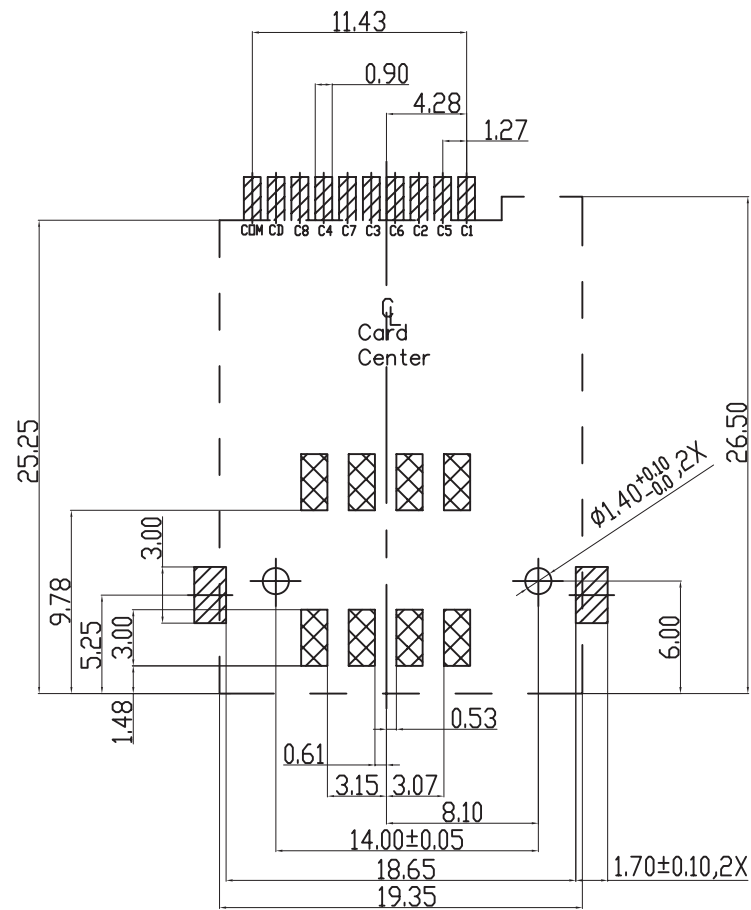
PRODUCT NO. 115A-BDAO-R01

FILE NAME: 115A-BDAO-R01

REV.	DESCRIPTION	DATE	SIZE	REV.
1			A4	



APPLICABLE CARD SIZE



Recommended PCB Layout

Tracer prohibition area

UNLESS OTHERWISE SPECIFIED TOLERANCE

ANG.	±5
0.	±0.3
.0	±0.25
.00	±0.20

SCALE: AS SHOWN UNIT: mm

DRAWN 2008/8/7

CHECKED / /

APPROVED / /

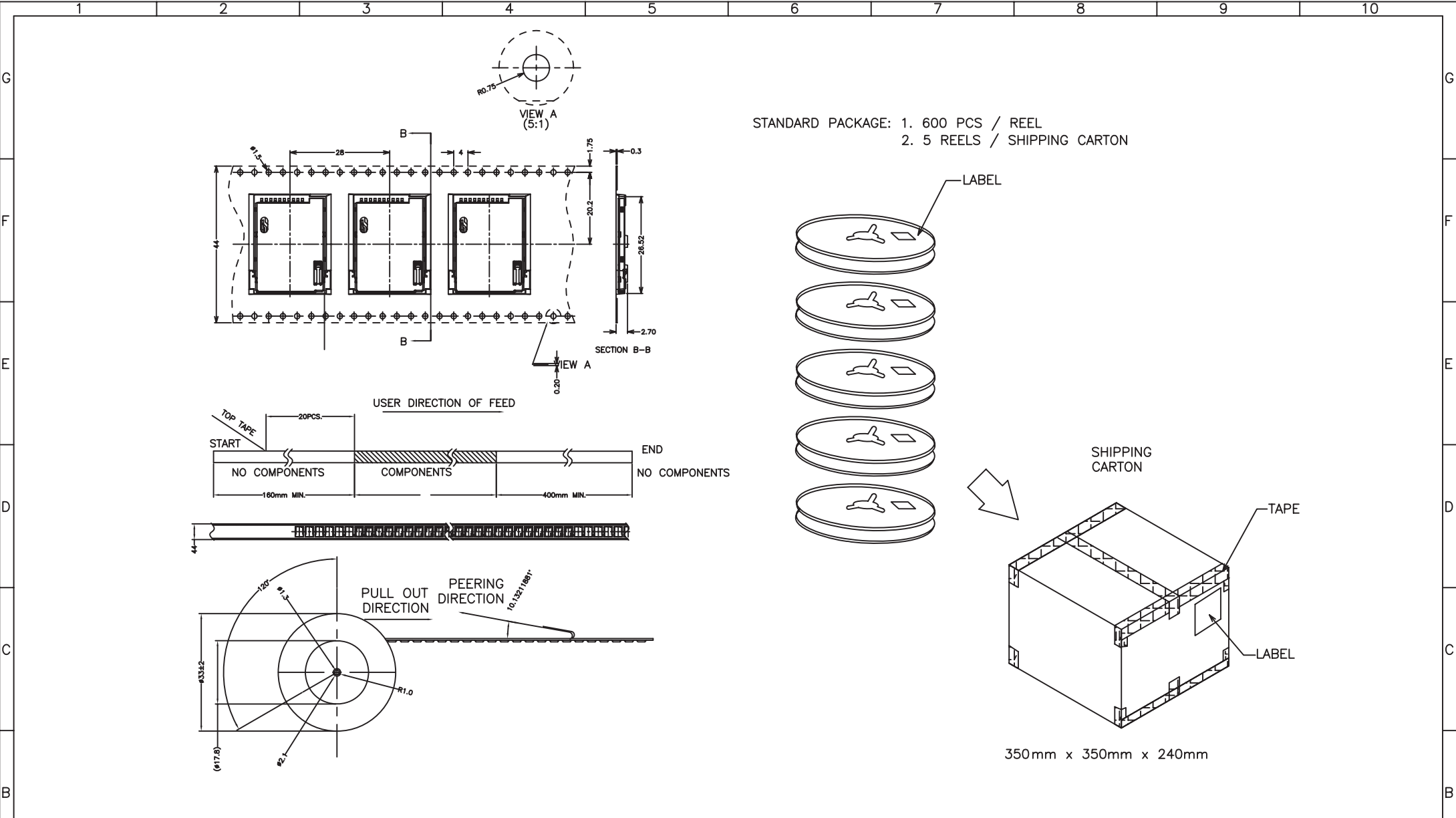
DATE SIZE A4 REV.

DRAWN NAME: SIM Card Socket
Push-Push Type, 8+2 Pin

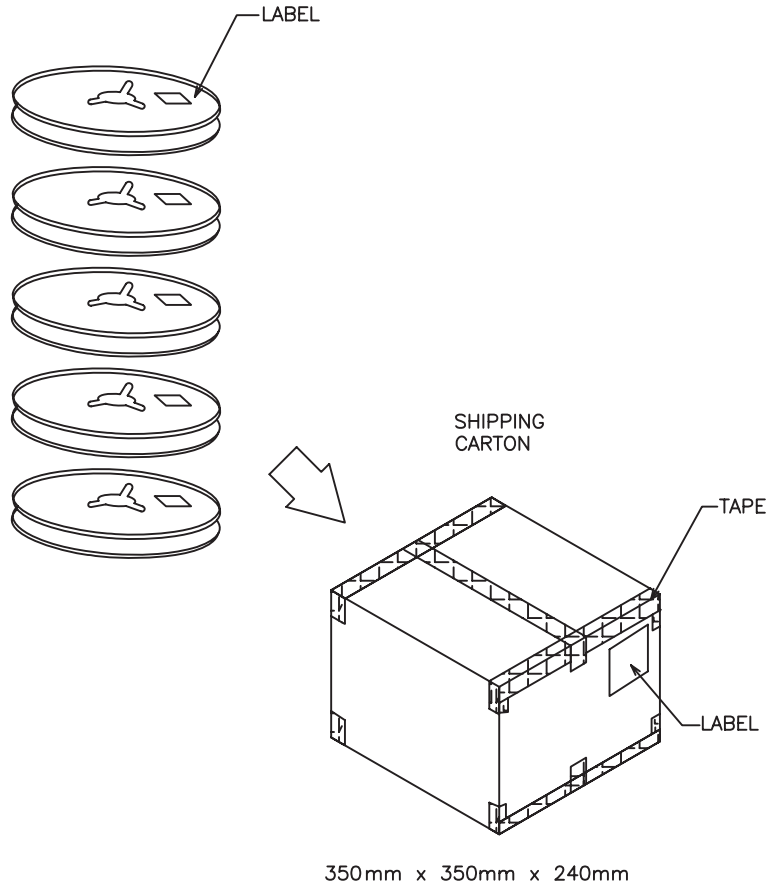
PRODUCT NO. 115A-BDAO-R01

FILE NAME: 115A-BDAO-R01

REV.	DESCRIPTION	DATE	SIZE	REV.
1			A4	



STANDARD PACKAGE: 1. 600 PCS / REEL
2. 5 REELS / SHIPPING CARTON



350mm x 350mm x 240mm

						UNLESS OTHERWISE SPECIFIED TOLERANCE			
						ANG. ±5			
						0. ±0.3			
						.0 ±0.25			
						.00 ±0.20			
						SCALE: AS SHOWN	UNIT: mm		
						DRAWN	2008/8/7	DRAWN NAME:	
						CHECKED	/ /	SIM Card Socket	
						APPROVED	/ /	Push-Push Type, 8+2 Pin	
						DATE	SIZE A4	REV.	PRODUCT NO. 115A-BDAO-R01
REV.	DESCRIPTION								FILE NAME: 115A-BDAO-R01