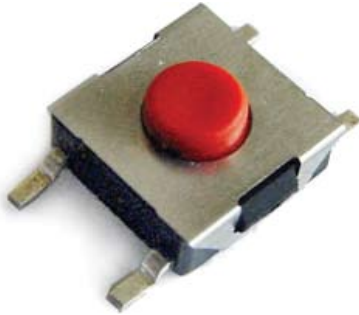


Tact switches

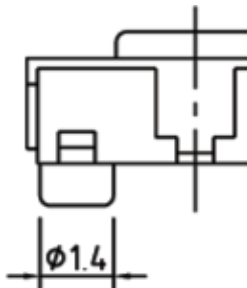
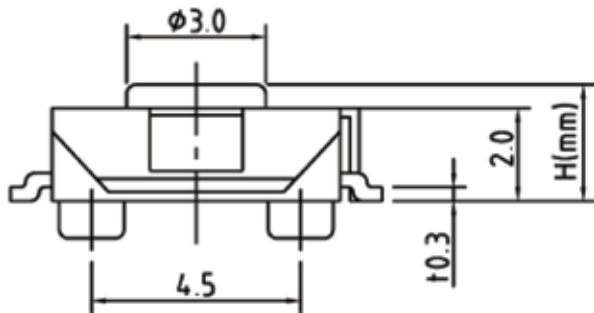
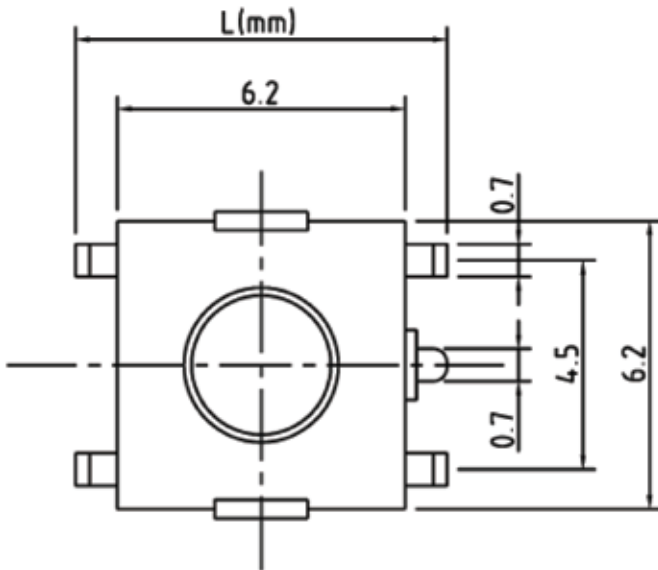


Specification

- Rating: DC 12V, 50mA Max
- Circuit: 1C — 1P
- Operating force: 130, 160gf, 250gf
- Contact resistance: 100mOm Max
- Travel: 0.25mm
- Life: 100000 cycles Min
- Tolerance: 0.3mm

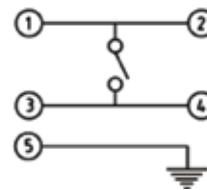
TS-1157-BHND2

1 2 3 4 5



1. Max length (L), mm
A - 0.8
B - 10.0
2. Max height (H), mm
S - 2.5
H - 3.1
3. Embossing case
E - with
N - without
4. Ground cover
P - with
D - without
5. Operating force, gf
1 - 130
2 - 160
3 - 250

Circuit diagram



PCB layout

