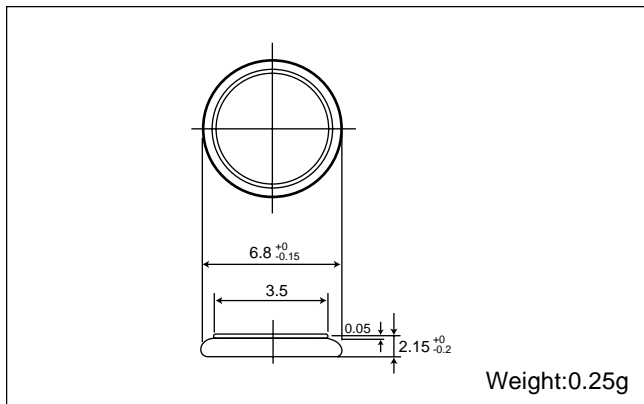


Manganese Titanium Lithium Rechargeable Batteries (MT series): Individual Specifications

MT621

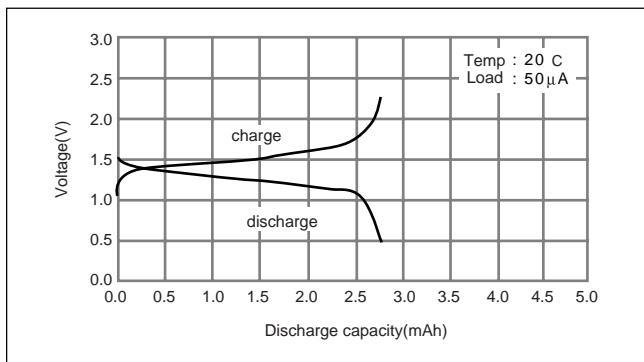
Dimensions(mm)



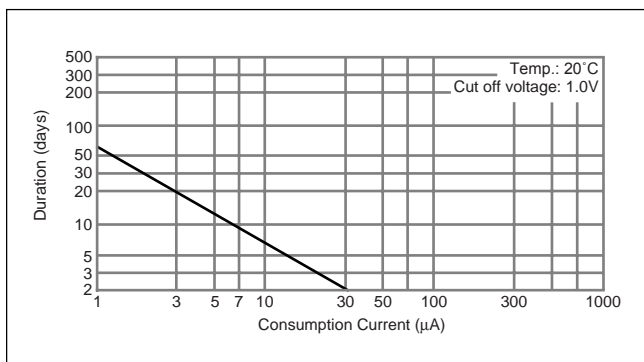
Specification

Nominal voltage (V)	1.5
Nominal capacity (mAh)	2.5
Continuous standard load (mA)	0.05
Operating temperature (C)	-20 ~ +60

Charge / discharge characteristics

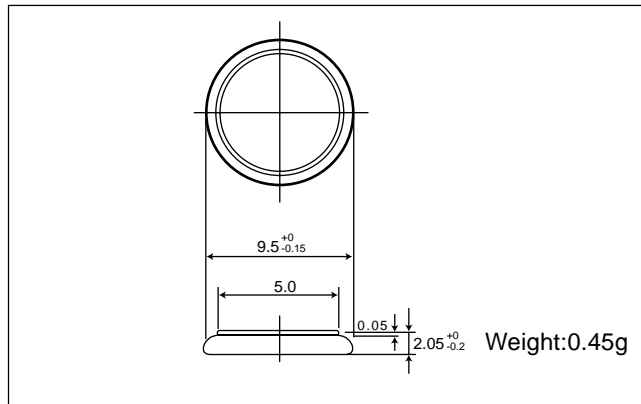


Consumption current vs. Duration time



MT920

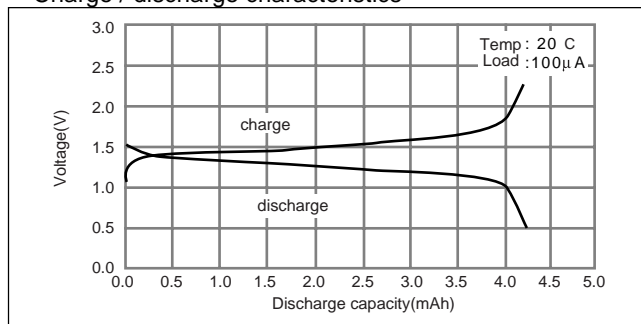
Dimensions(mm)



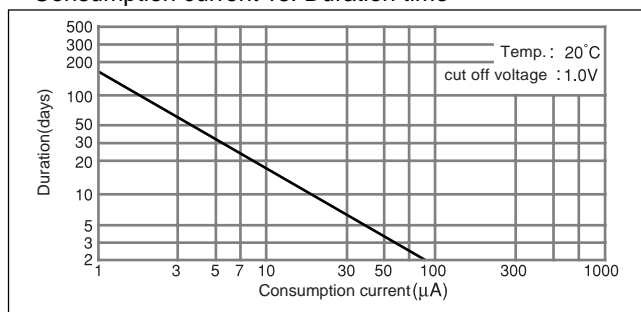
Specification

Nominal voltage (V)	1.5
Nominal capacity (mAh)	4.0
Continuous standard load (mA)	0.10
Operating temperature (C)	-20 ~ +60

Charge / discharge characteristics



Consumption current vs. Duration time



Discharge characteristics

