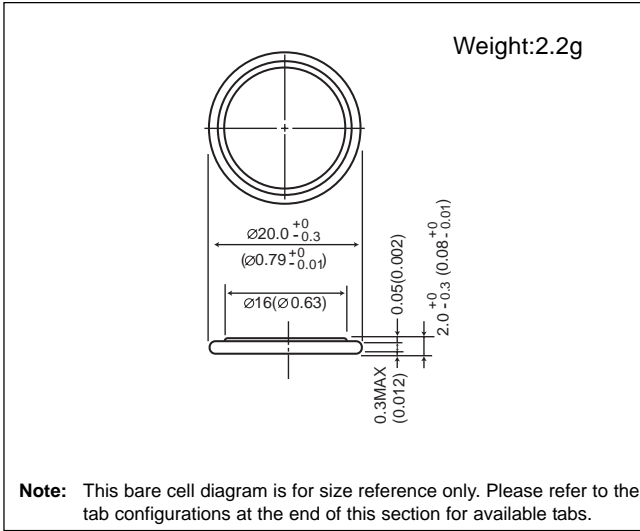


Manganese Lithium Coin Batteries (ML series): Individual Specifications

ML2020

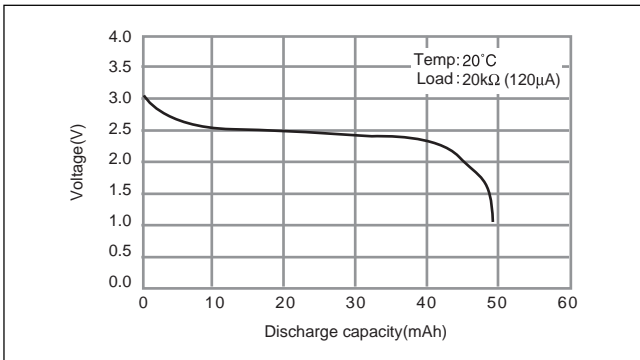
Dimensions(mm)



Specification

Nominal voltage (V)	3
Nominal capacity (mAh)	45
Continuous standard load (mA)	0.1
Operating temperature (C)	-20 ~ +60

Discharge characteristics



Consumption current vs. Duration time

