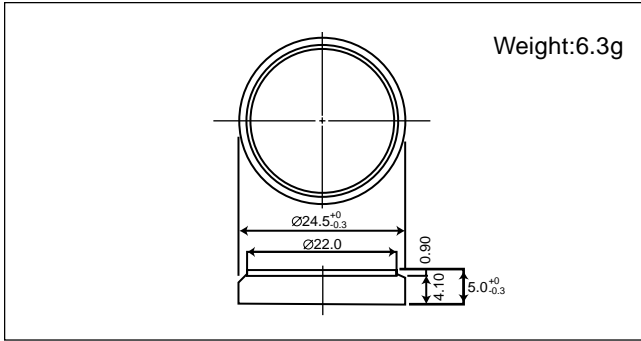


Manganese Dioxide Lithium Coin Batteries: Individual Specifications

CR2450

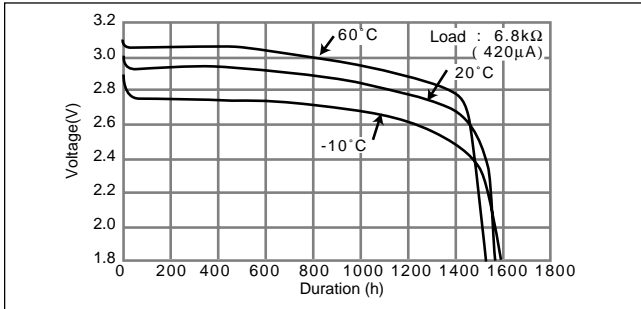
☒ Dimensions(mm)



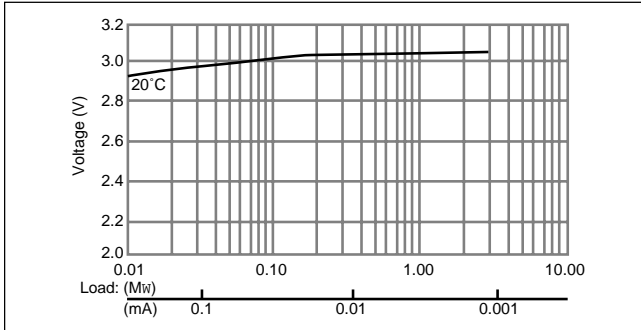
☒ Specification

Nominal voltage (V)	3
Nominal capacity (mAh)	620
Continuous standard load (mA)	0.2
Operating temperature (C)	-30 ~ +60

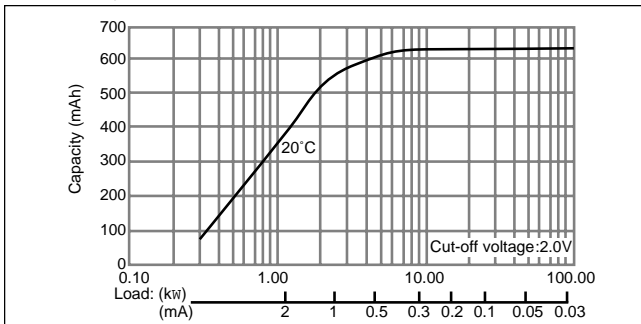
☒ Temperature Characteristics



☒ Operating voltage vs. load resistance (voltage at 50% discharge depth)

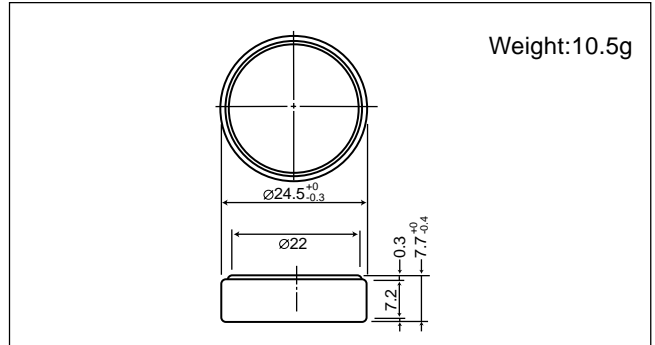


☒ Capacity vs. load resistance



CR2477

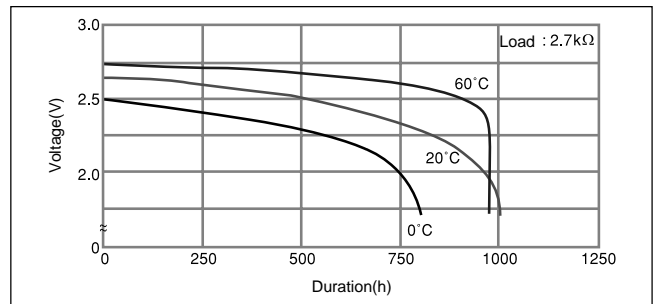
☒ Dimensions(mm)



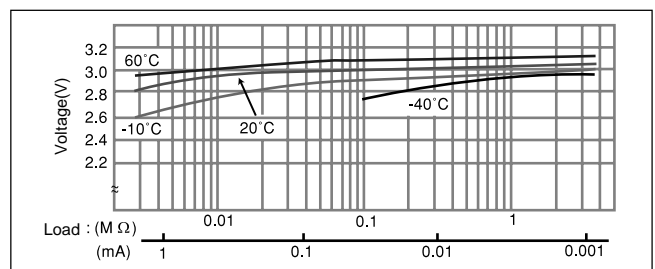
☒ Specification

Nominal voltage (V)	3
Nominal capacity (mAh)	1,000
Continuous standard load (mA)	0.2
Operating temperature (C)	-30 ~ +60

☒ Temperature Characteristics



☒ Operating voltage vs. load resistance (voltage at 50% discharge depth)



☒ Capacity vs. load resistance

