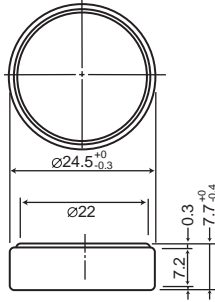


# High Operating Temperature Poly-carbonmonofluoride Lithium Coin Batteries (BR "A" Series): Individual Specifications

## BR2477A

Dimensions(mm)

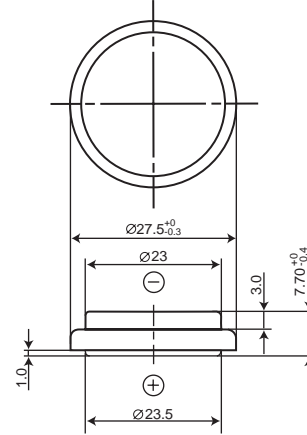


Weight:8.0g

**Note:** This bare cell diagram is for size reference only. Please refer to the tab configurations at the end of this section for available tabs.

## BR2777A\*

Dimensions(mm)



Weight: 8.0g

**Note:** This bare cell diagram is for size reference only. Please refer to the tab configurations at the end of this section for available tabs.

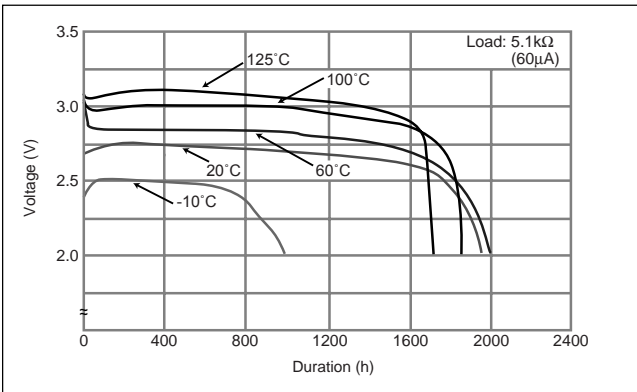
Specification

<b>Nominal voltage (V)</b>	3
<b>Nominal capacity (mAh)</b>	1,000
<b>Continuous standard load (mA)</b>	0.03
<b>Operating temperature (C)</b>	-40 ~ +125

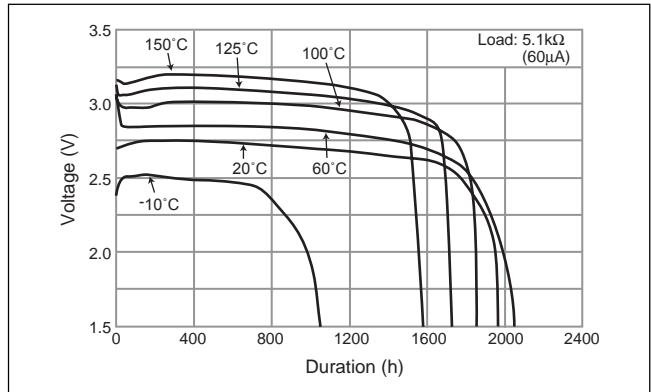
Specification

<b>Nominal voltage (V)</b>	3
<b>Nominal capacity (mAh)</b>	1000
<b>Continuous standard load (mA)</b>	0.03
<b>Operating temperature (C)</b>	-40 ~ +125

Temperature Characteristics



Temperature Characteristics



\*Please contact Panasonic for the latest information on this product.