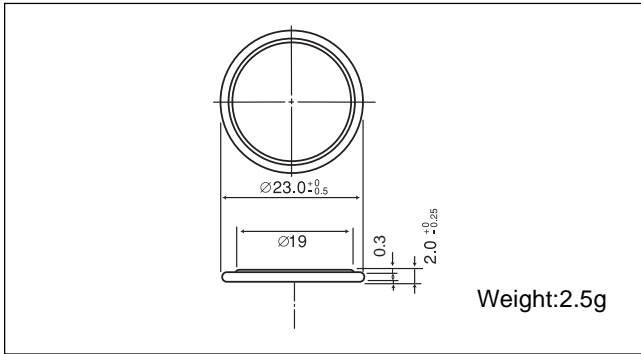


# Poly-carbonmonofluoride Lithium Coin Batteries: Individual Specifications

## BR2320

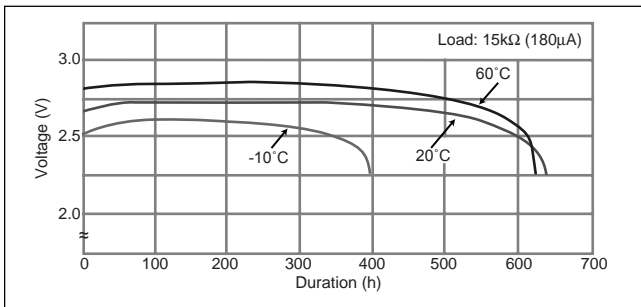
Dimensions(mm)



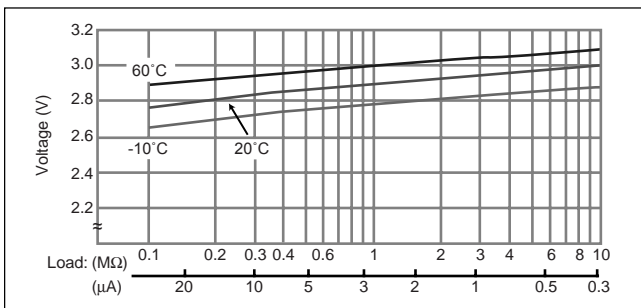
Specification

Nominal voltage (V)	3
Nominal capacity (mAh)	110
Continuous standard load (mA)	0.03
Operating temperature (C)	-30 ~ +80

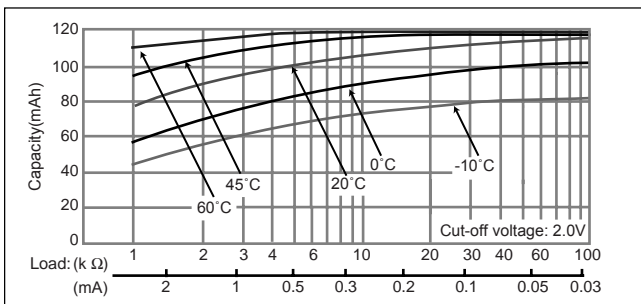
Temperature Characteristics



Operating voltage vs. load resistance (voltage at 50% discharge depth)

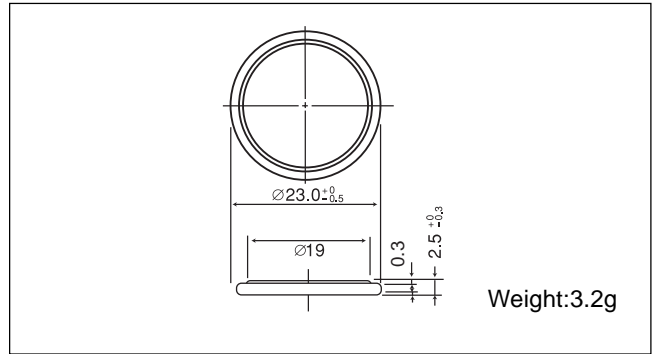


Capacity vs. load resistance



## BR2325

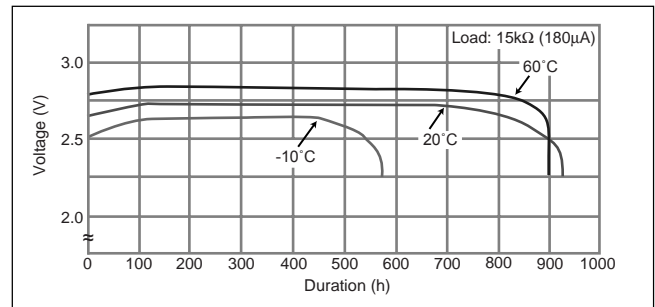
Dimensions(mm)



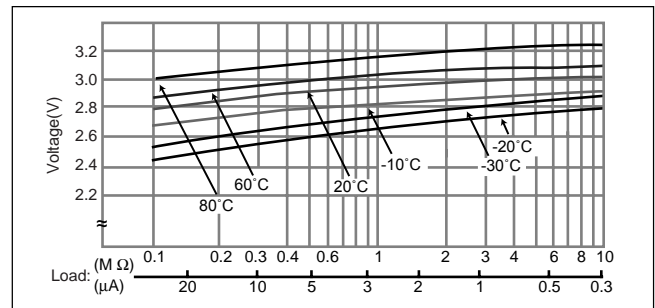
Specification

Nominal voltage (V)	3
Nominal capacity (mAh)	165
Continuous standard load (mA)	0.03
Operating temperature (C)	-30 ~ +80

Temperature Characteristics



Operating voltage vs. load resistance (voltage at 50% discharge depth)



Capacity vs. load resistance

