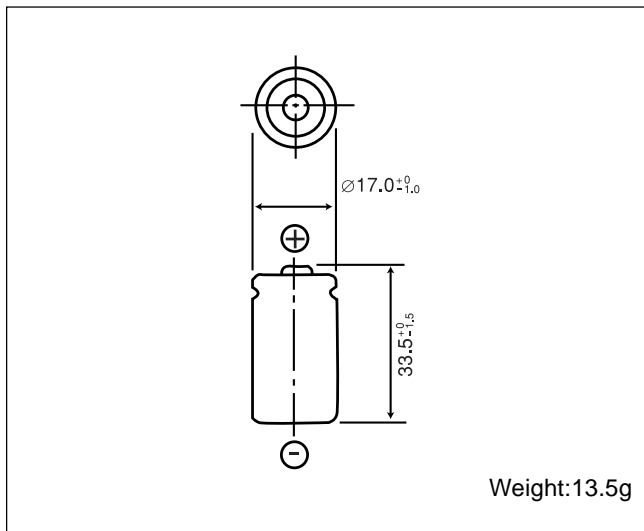


Poly-carbonmonofluoride Lithium Batteries: Individual Specifications

BR-2/3A

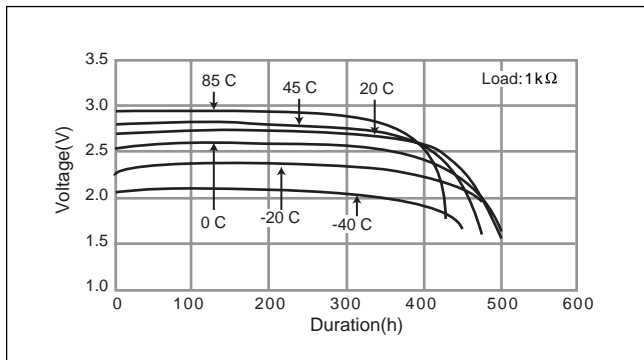
Dimensions(mm)



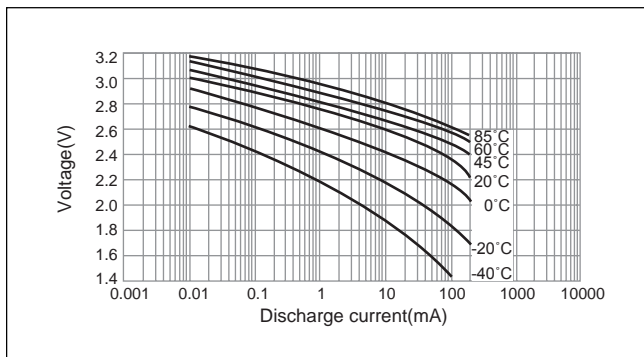
Specification

Nominal voltage(V)	3
Nominal capacity(mAh)	1,200
Continuous drain(mA)	2.5
Operating temperature(°C)	-40 ~ +85

Temperature Characteristics

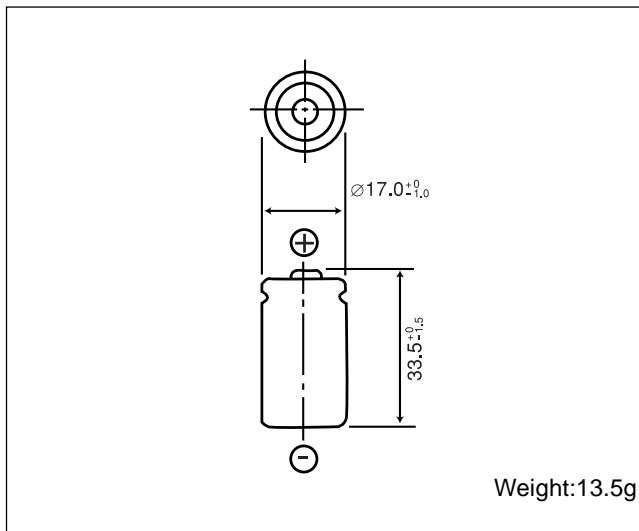


Operating voltage vs. Discharge current(voltage at 50% discharge depth)



BR-2/3AH

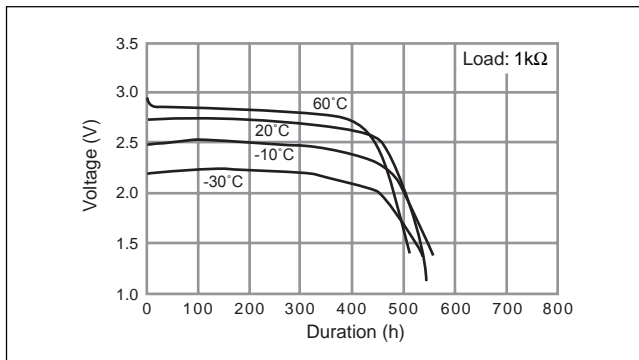
Dimensions(mm)



Specification

Nominal voltage(V)	3
Nominal capacity(mAh)	1,350
Continuous standard load(mA)	2.5
Operating temperature(°C)	-40 ~ +85

Temperature Characteristics



Operating voltage vs. Discharge current(voltage at 50% discharge depth)

