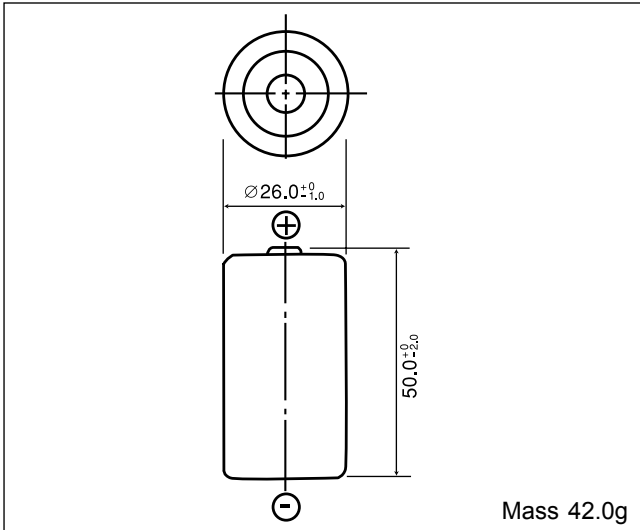


BR-C

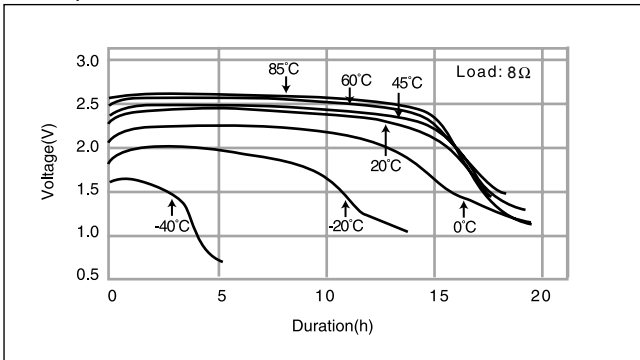
Dimensions(mm)



Specification

Nominal voltage(V)	3
Nominal capacity(mAh)	5,000
Continuous drain(mA)	5.0
Operating temperature(°C)	-40 ~ +85

Temperature Characteristics



Operating voltage vs. Discharge current(voltage at 50% discharge depth)

