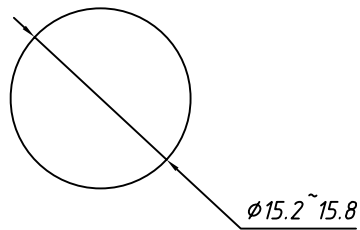
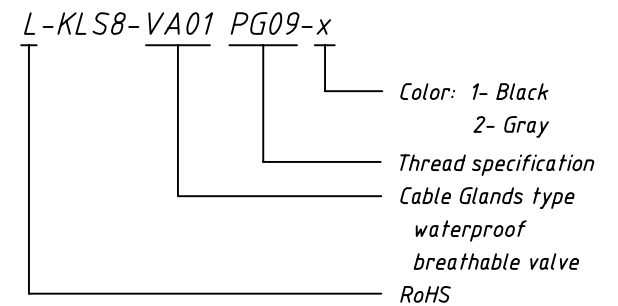


Material
 Material: Nylon PA6 UL94V-2
 Sealing: NBR, EPDM
 IP rating: IP67
 Cable Range >|Ø|<: 4 ~ 8mm
 Outer diameter of thread: 15.2mm
 Thread length: 9mm
 Wrench diameter: 22mm
 Temp. Range: -40 °C ~ +100 °C
 breathable valve Range: 16L/H



Panel Mounting
hole diameter

Order Information



| GENERAL TOLERANCE | | ANGLE TOLERANCE | | Description: |
|-------------------|------------|-----------------|-----|-----------------------------------|
| X. | ±0.60 | X. | ±5° | PG-09 waterproof breathable valve |
| .X | ±0.38 | .X | ±3° | |
| .XX | ±0.25 | .XX | ±2° | |
| Draw | 2018-01-20 | PROJECTION | | KLS P/N: KLS8-VA01PG09-x |
| Check | 2018-01-20 | UNITS | mm | KLS ELECTRONIC CO.,LTD. |
| SCALE | | SHEET SIZE | A4 | |