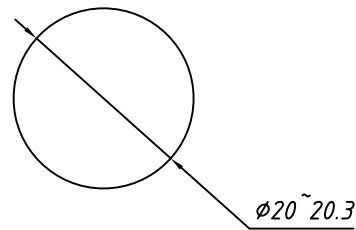
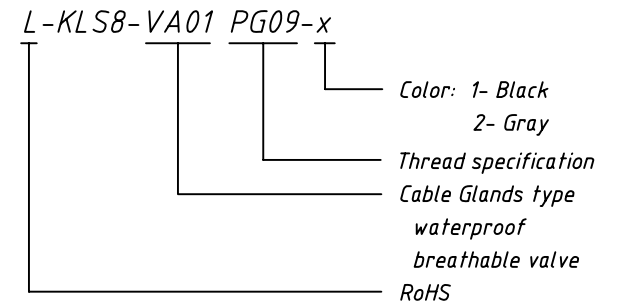


Material
 Material: Nylon PA6 UL94V-2
 Sealing: NBR, EPDM
 IP rating: IP67
 Cable Range >|Ø|<: 6~11mm
 Outer diameter of thread: 19.7mm
 Thread length: 9mm
 Wrench diameter: 27mm
 Temp. Range: -40 °C ~ +100 °C
 breathable valve Range: 16L/H



Panel Mounting
hole diameter

Order Information



GENERAL TOLERANCE		ANGLE TOLERANCE		Description:
X.	±0.60	X.	±5°	M20×1.5 waterproof breathable valve
.X	±0.38	.X	±3°	
.XX	±0.25	.XX	±2°	
Draw	2018-01-20	PROJECTION		KLS P/N: KLS8-VA01M20-x
Check	2018-01-20	UNITS	mm	KLS ELECTRONIC CO.,LTD.
SCALE		SHEET SIZE	A4	