



KLS3-LB5628-4R5W

Multimedia speakers



Compact size



High reliability



Harsh-environment ready

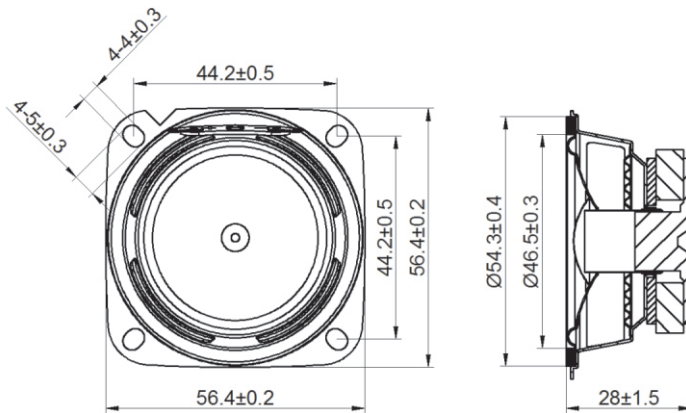
◆ Technical terms

No.	Technical terms	Value	Unit
1	Rated Power	5	W
2	Rated Impedance	4 ± 15%	Ω
3	Resonance Frequency	200±20%	Hz
4	Sound Output @ 1m 1W	78±3dB at 180~8000Hz Avg.	-
5	Rated Freq. Range	F0 ~ 8000	Hz
6	Buzzes & Rattles	Should not be audible at 3.2V sine wave between 100 ~ 20000Hz	-
7	Operating Temperature	-40 ~ +85	°C
8	Storage Temperature	-40 ~ +85	°C
9	Waterproof level	IPX7	-

STANDARD TEST CONDITIONS:

Temperature: 17 ~ 25°C; Relative Humidity: 45% ~ 80%(RH); Air Pressure: 860 ~ 1060 hPa.

◆ DIMENSIONS (UNIT: mm) Tolerance: ±0.5mm Except Specified



◆ Application Areas

Provides critical acoustic feedback, ensuring driving safety and interaction experience.