



KLS3-LB1504-8R0.8W

Multimedia speakers



Compact size



High reliability



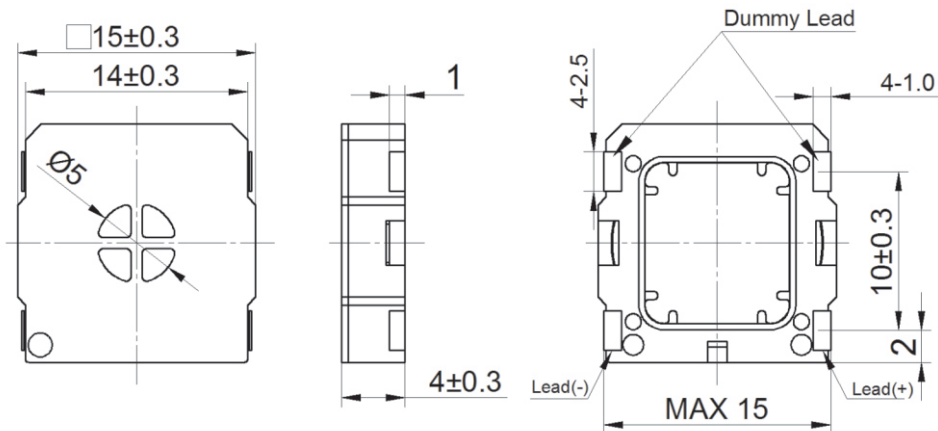
Harsh-environment ready

◆ Technical terms

No.	Technical terms	Value	Unit
1	Rated Power	0.8	W
2	Max Input Power	1.0	W
3	Rated Impedance	8 ± 20%	Ω
4	Resonance Frequency	800 ± 20%	Hz
5	Sound Output at 0.1m 0.8W	92±3dB at 1k,1.6k,2.0k&3.2kHz Average	-
6	THD at 0.8W/2.2kHz	≤10%	-
7	Buzzes & Rattles	Should not be audible at 2.53Vrms sine wave between 300Hz ~ 5KHz	-
8	Operating Temperature	-40 ~ +105	°C
9	Storage Temperature	-40 ~ +105	°C
10	Weight	1.7	g
11	RoHS	Yes	-

Test Basic State: Temp(20±2°C),Humidity(40~70%RH),Air pressure(860~1060hPa).

◆ DIMENSIONS (UNIT: mm) Tolerance: ±0.5mm Except Specified



◆ Application Areas

Provides critical acoustic feedback, ensuring driving safety and interaction experience.