



KLS3-LB1304-8R0.7W

Multimedia speakers



Compact size



High reliability



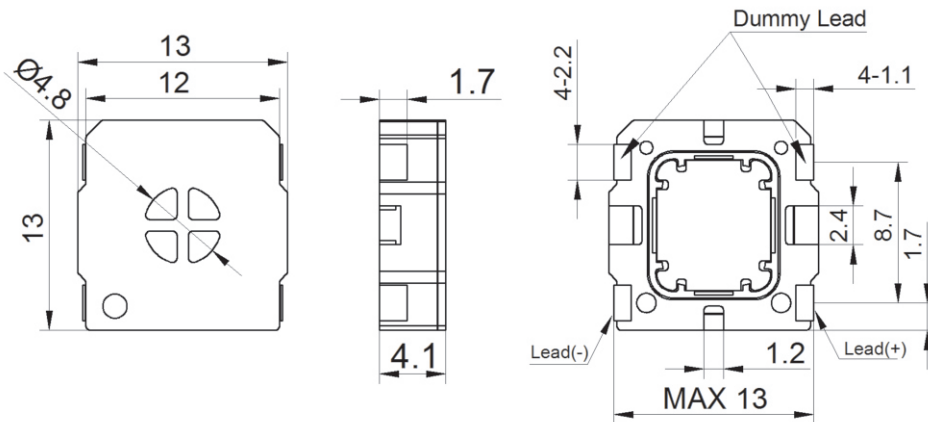
Harsh-environment ready

◆ Technical terms

No.	Technical terms	Value	Unit
1	Rated Power	0.7	W
2	Max Input Power	1.0	W
3	Rated Impedance	8 ± 20%	Ω
4	Resonance Frequency	1050 ± 20%	Hz
5	Sound Output at 0.1m 0.7W	90±3dB at 1k,1.6k,2.0k&3.2kHz Average	-
6	THD at 0.7W/2.2kHz	≤10%	-
7	Buzzes & Rattles	Must be normal at sine wave 2.37Vrms	-
8	Operating Temperature	-40 ~ +85	°C
9	Storage Temperature	-40 ~ +105	°C
10	Weight	1.2	g
11	RoHS	Yes	-

Test Basic State: Temp(20±2°C), Humidity(40~70%RH), Air pressure(860~1060hPa).

◆ DIMENSIONS (UNIT: mm) Tolerance: ±0.5mm Except Specified



◆ Application Areas

Provides critical acoustic feedback, ensuring driving safety and interaction experience.